

Epson EB-4000 Series

POWERFUL PROJECTORS FOR HIGH IMPACT PRESENTING



3x BRIGHTER
COLOURS
with Epson Projectors¹

No.1
SINCE 2001

EPSON
WORLD LEADER
IN PROJECTORS²

EPSON[®]
EXCEED YOUR VISION

BUSINESS PRESENTING AT ITS BEST

Present bright, clear, images that really bring your message to life in the boardroom, meeting room, classroom or lecture theatre. Epson EB-4000 Series installation projectors have the power and flexibility to deliver fantastic hassle-free projections in just about any environment.



EB-4850WU

Stunning images

Deliver exceptional presentations whatever your subject. 3LCD technology ensures professional results every time through bright, true-to-life and consistent images. It's no wonder that we've been world No.1 in projectors² since 2001.

Simple operation

Set up quickly and easily with a wide range of image adjustments including up to 2.0x zoom, +/- 30° keystone adjustment, plus point and arc correction for uneven surfaces. This gives you a wider choice of projector placement and ensures you can always rely on pictures that are perfectly clear and uniform.

Features

Add depth and involvement to presentations by displaying from two different sources at the same time with the side-by-side split screen function. Get connected to a variety of HD sources with the HDMI input and DisplayPort and choose even more flexibility with wireless presenting via the optional USB adapter.



5200 lm

HIGH BRIGHTNESS



SPLIT SCREEN



MONITOR AND CONTROL



POINT CORRECTION



ARC CORRECTION



5,000:1

HIGH CONTRAST RATIO



HIGH DEFINITION CONNECTIVITY



WIDE LENS SHIFT



WUXGA

HIGH DEFINITION



10 W

INTEGRATED SPEAKER

THE DIFFERENCE IS IN THE DETAIL

Presentations have become key elements in good communication at work and in the lecture hall. Our projectors give you the tools you need for a professional performance every time.



Project crystal clear images in vivid colour, even in daylight

Achieve maximum clarity in your presentations. Projected images can suffer from loss of quality because they have different levels of brightness, but working with the 5,000:1 contrast ratio Epson Auto Iris automatically adjusts images. This works with Epson C2 Fine optics to achieve smooth, uniform results.



Achieve twice the effectiveness on a single screen

Double the scope of presentations by displaying two images on one screen at the same time. Perfect for video conferences where still or video images can be displayed side-by-side, with remote participants, to really bring them into a discussion.



Use video content to best effect with cinema image enhancement

Project images that are more true-to-life with Faroudja DCDi® Cinema video enhancement. This award-winning technology combines deinterlacing, noise reduction and sharpness enhancement to eliminate jaggedness and deliver super smooth video.



EB-4550



EB-4650



EB-4750W



EB-4770W²



EB-4850WU



EB-4950WU

No.1

World leader in projectors since 2001²

PERFECTION THROUGH INNOVATION

Take control of how you present and enjoy the added confidence and quality that an Epson installation projector brings. From crucial business data to stimulating lectures, they give you the power and support you need to share information in the most effective way.

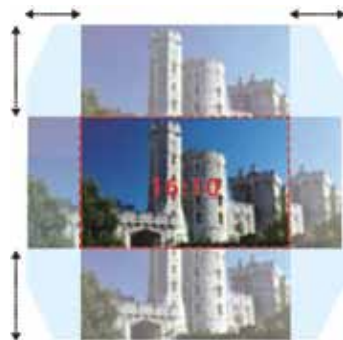


EB-4850WU

True installation freedom

Set up your projector quickly and easily with vertical and horizontal lens shift. Deliver high-quality images and crisp, sharp text without distortion or scaling, whether positioned on a desk or on the ceiling, closer to the screen or at the back of a room.

This lens shift technology enables outstanding installation flexibility with an incredible range of up to (\pm) 70% on the vertical axis and (\pm) 38% on the horizontal axis.



DICOM Mode

Ensure optimum image quality with video colour modes that automatically match projector settings to your subject. As well as settings such as Dynamic, Photo and Theatre you can select DICOM SIM mode, which produces images with clear shadows, ideal for medical images such as X-rays⁵.



PC-free presenting

The iProjection app means you can project wirelessly from iOS or Android smart devices⁴. Putting the contents of your smartphone onto the screen is easy, and you can also use other touch-screen operations like flicking to turn pages and pinching to zoom in or out.



Minimum maintenance

Lamp and filter replacement couldn't be easier. No tools are needed, and they can be accessed and changed quickly even when your projector is suspended from the ceiling. For long term hassle-free use, the lamp lasts up to 5,000 hours in Eco Mode.



Innovative imaging technology

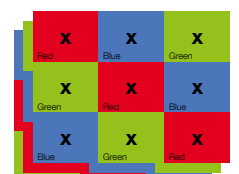
Project incredibly detailed images with smooth, natural colours and an exceptional greyscale range. The 3LCD technology at the heart of every Epson projector delivers equal White and Colour Light Output, and leads the way in brightness, image quality and reliability.



Exceptional White and Colour Light Output (CLO)

Benefit from the most accurate representation of true brightness and colour quality, not simply of white light. The CLO rating uses three sets of a nine-point grid to measure the primary colours – red, green and blue – and ensure that you can count on bright, colourful images even in daylight.

X	X	X
X	X	X
X	X	X



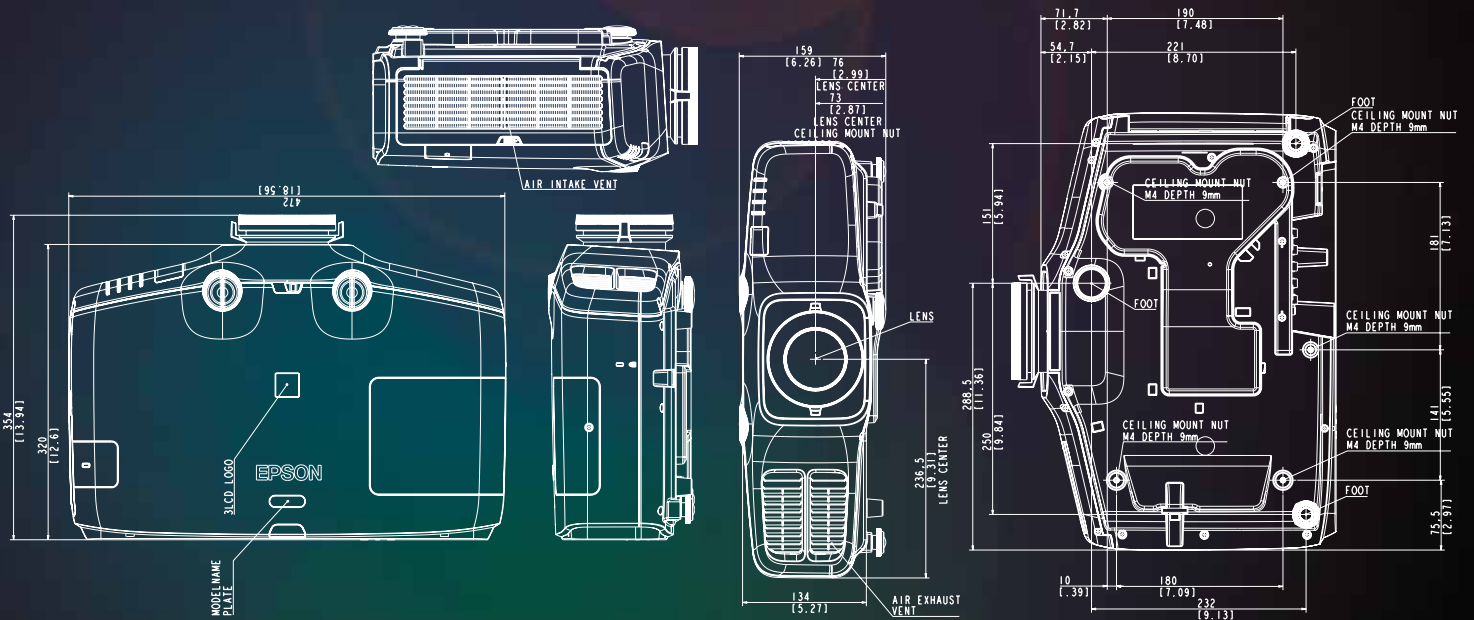
GET CONNECTED

To give you the widest choice of presenting options. The Epson EB-4000 series is compatible with a wide range of external devices and interfaces.

- | | |
|--|--|
| 1 BNC input port (5BNC) | 7 RS-232C port (Mini D-Sub 9-pin) |
| 2 Video input port (Composite) | 8 Monitor out port (Mini D-Sub15-pin) ⁶ |
| 3 S-Video input port (Mini Din4-pin) | 9 HDMI input port (HDMI) |
| 4 Computer input port (Mini D-Sub15-pin) | 10 LAN port (RJ45: 100Base-TX) |
| 5 Power inlet | 11 DisplayPort |
| 6 Remote port (stereo mini) | 12 Service Port ⁷ |



EB-4950WU



SPECIFICATIONS

	EB-4950WU	EB-4850WU
Technology	Epson 3LCD	
LCD panel size (diagonal width)	0.76in with MLA (D7)	0.76in
Scanning frequency (horizontal / vertical)	13.5 MHz to 162 MHz 15 kHz to 92 kHz / 50 Hz to 85 Hz	
Resolution / aspect	WUXGA 1920 × 1200 16:10	
Contrast ratio	5,000:1	
White / Colour Light Output (lumens) (standard / economy)	4,500 / 3,200	4,000 / 3,200
Lamp type	280W	260W
Lamp life (hours) (standard / economy)	4,000 / 5,000	
Operating temperature (Altitude 0 to 1,499m and Altitude 1,500 to 3,048m)	0 ° to +45 °C / 0 ° to +40 °C	
Power supply	AC 100 – 240 V 50 / 60 Hz, 5.7 – 2.5 A	
Image size (diagonal / projected distance (standard lens))	50in – 300in / 1.35m – 8.36m (Zoom: Wide) 50in – 300in / 1.35m – 8.36m (Zoom: Tele)	
Throw ratio (standard lens)	1.26 – 2.30:1	
Lens F-number (F)	1.65 – 2.55	
Focal length (f) (mm)	21.28 – 37.94	
Zoom ratio (standard lens)	Optical ×1.8	
Keystone correction (horizontal / vertical)	±30° / ±30°	
Lens shift (horizontal / vertical)	±10° / ±50°	
Noise (standard / economy) (dB)	38 / 30	
Power consumption (on / economy / network stand-by)	388W / 298W / 0.47W	368W / 268W / 0.47W
Weight (kg)	6.6	
Dimensions W × D × H (mm)	472 × 354 × 159	
Connectivity	RS-232C, Ethernet interface (100 Base-TX / 10 Base-T), Wireless LAN IEEE 802.11b/g/n (optional), VGA in, VGA out, HDMI in, DisplayPort in, Composite in, 5-BNC in, S-Video in, Stereo mini jack audio out, Stereo mini jack audio in (3×), Cinch audio in, Wired remote in (stereo mini)	
Supplied accessories	CD Manual, Cable cover, Computer cable, Power cable, Remote control incl. batteries	
Projector warranty ⁸	36 months or 8,000 hours, whichever comes first	
Lamp warranty ⁸	12 months or 1,000 hours, whichever comes first	
Box size W × D × H (mm) Gross Weight (kg)	762 × 432 × 324 12.9	

EB-4770W ³	EB-4750W	EB-4650	EB-4550
Epson 3LCD			
0.76in	0.59in with MLA (D8)	0.63in with MLA (D8)	
13.5 MHz to 162 MHz 15 kHz to 92 kHz / 50 Hz to 85 Hz			
WXGA 1280 × 800 16:10		XGA 1024 × 768 4:3	
5,000:1			
5,000 / 3,000	4,200 / 3,000	5,200 / 3,700	4,500 / 3,700
280W		280W	260W
4,000 / 5,000			
0 ° to +45 °C / 0 ° to +40 °C			
AC 100 – 240 V 50 / 60 Hz, 5.7 – 2.5 A			
50in – 300in / 1.35m – 8.36m (Zoom: Wide) 50in – 300in / 1.35m – 8.36m (Zoom: Tele)	30in – 300in / 0.79m – 8.32m (Zoom: Wide) 30in – 300in / 1.65m – 16.85m (Zoom: Tele)	30in – 300in / 0.74m – 7.84m (Zoom: Wide) 30in – 300in / 1.55m – 15.9m (Zoom: Tele)	
1.26 – 2.30:1	1.27 – 2.59:1		
1.65 – 2.55	1.5 – 2.14		
21.28 – 37.94	16.72 – 33.47		
Optical ×1.8	Optical ×2.0		
±30° / ±30°			
±10° / ±50°	±38° / ±70°	±38° / ±58°	
38 / 30			
388W / 298W / 0.39W			368W / 298W / 0.39W
6.5			
472 × 354 × 159			
RS-232C, Ethernet interface (100 Base-TX / 10 Base-T), Wireless LAN IEEE 802.11b/g/n (optional), VGA in, VGA out, HDMI in, DisplayPort in, Composite in, 5-BNC in, S-Video in, Stereo mini jack audio out, Stereo mini jack audio in (3×), Cinch audio in, Wired remote in (stereo mini)			
CD Manual, Cable cover, Computer cable, Power cable, Remote control incl. batteries			
36 months or 8,000 hours, whichever comes first			
12 months or 1,000 hours, whichever comes first			
762 × 432 × 324 12.9			

Accessories

Epson offers a wide range of accessories including lenses, ceiling mounts and wireless LAN units. To view the full range visit www.epson.co.uk



Ceiling mount high ELPMB22

– Tailor-made ceiling mount for easy installation and security



Ceiling mount low ELPMB30

– Low profile ceiling mount for easy installation and security



Wireless LAN unit ELPAP07

– Easy installation USB adapter
– Make fast, secure presentations across a wireless connection with EasyMP Network Projection or Epson's iProjection app

Better Products for a Better Future™

¹ Compared to leading 1-chip DLP business and education projectors based on NPD data, July 2011 through June 2012. Colour brightness (Colour Light Output) measured in accordance with IDMS 15.4. Colour brightness will vary depending on usage conditions. For more information please visit www.epson.co.uk/CLO

² Survey conducted by FutureSource Consulting Limited for the period from 2001 to 2013.

³ Available from July 2015.

⁴ In iProjection, projector profile search, multi-screen display, distribution function, audio transfer, movie file transfer, interrupt connection disabling and encryption data transfer capabilities are not supported.

⁵ Epson projectors are not medical devices and cannot be used for actual medical diagnosis.

⁶ Only analog RGB signals can be output from the BNC port and the Computer port.

⁷ For maintenance personnel only. Should not normally be used.

⁸ The warranty can be extended up to 5 years for the projectors and up to 5 years for the lamps or 3,000 hours (whichever comes first) with the Epson Cover Plus Packages. Warranty offers are not available for all countries. Please contact your local Epson representative.

For more information please contact:

Telephone: 01952 607111 (UK)*
01 436 7742 (Republic of Ireland)
E-mail: enquiries@epson.co.uk
Chat: etalk.epson-europe.com
Fax: 0871 222 6740

Web: www.epson.co.uk
www.epson.ie

* Local call rate.

Trademarks and registered trademarks are the property of Seiko Epson Corporation or their respective owners. Product information is subject to change without prior notice.

EPSON®