

Epson Robots

- SCARA Robots
- 6-axis Robots
- Controllers
- Software
- Vision System
- Part Feeding
- Force Sensing
- Options



*Market share based on unit sales of industrial SCARA robots, 2011-2022. (Source: Fuji Keizai "2012 - 2023 Reality and Future Outlook of Worldwide Robot Market").




Here at Epson, our technology is driven by our commitment to society and the environment. We focus on the essential and eliminate the unnecessary to create greater value. With this philosophy at our core, Epson has always strived to meet sustainability needs and will continue to do so.

- Product specifications and appearance are subject to change without notice.
- Visual C++® and Windows® are registered trademarks of Microsoft Corporation in the USA, Japan, and other countries.
- CC-Link® is a registered trademark of the CC-Link Partner Association.
- EtherNet/IP™ and DeviceNet™ are trademarks of the Open DeviceNet Vendor Association.
- EtherCAT® is a registered trademark and patented technology of Beckhoff Automation GmbH.
- LabVIEW™ is a trademark of National Instruments Corporation.
- AutoCAD® is a registered trademark or trademark of Autodesk, Inc., in the USA and other countries.

Direct inquiries to

Epson Deutschland GmbH
 Manufacturing Solutions
 Schiessstraße 49
 40549 Düsseldorf
 Germany

Phone: +49 211 5422 9007
 E-mail: info.ms@pson.eu
www.epson.eu/en_EU/robots

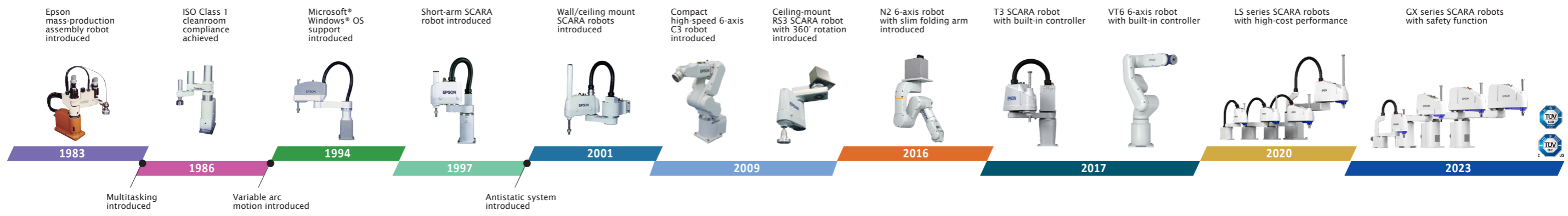
 **Safety Precautions** Please read associated manuals carefully before installing or using our robot products. Always use products properly per guidelines in the manuals.

Epson Robots



A proven reputation for precision and reliability at the leading edge of industrial robot design

Ever since we developed our first SCARA robots for wristwatch assembly over 40 years ago, Epson has been a leader in advanced robotics technology. Today, our long experience in energy-efficient, compact, high-precision technologies enables us to offer a wide range of slim, compact, and lightweight robots. And with the addition of original Epson force sensing and image processing technologies, we are achieving even higher levels of reliability, speed, precision, and productivity in process automation. Whatever challenges you face, Epson industrial robots are continuously evolving to meet the diversifying needs of manufacturers worldwide.



Why Epson Robots?

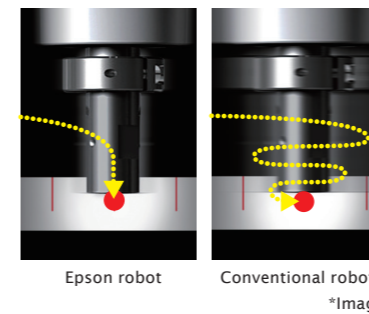
Epson, the global leader in robotics technology, offers you an impressive combination of high performance and operating ease. Backed by a worldwide reputation for reliability and outstanding customer support, Epson robots are bringing high-productivity automated manufacturing to an ever-expanding range of industries worldwide.



Low TCO and high reliability for the ultimate in automated productivity

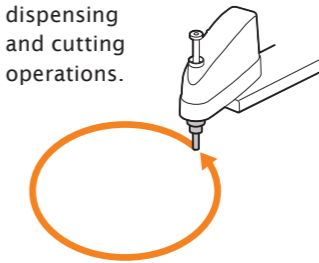
High productivity

- Proprietary Epson technology reduces residual vibration to ensure high speed and precision for reduced takt time.
- Slim, lightweight body design reduces work cell space requirements while enabling higher productivity.

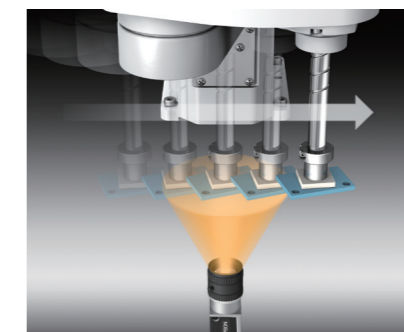


High quality

- Extremely accurate toolhead positioning enables high-precision dispensing and cutting operations.

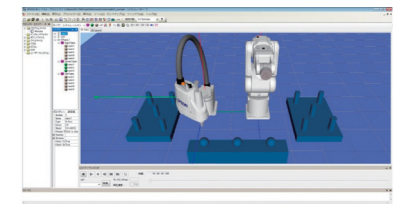


- Integrated machine vision systems boost setup ease and workpiece handling accuracy.



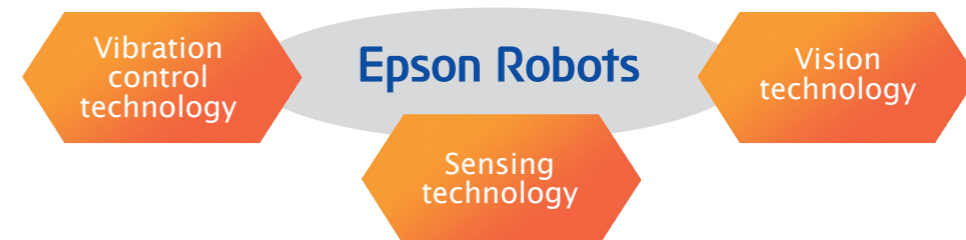
Easy operation

- Intuitive graphical interface makes programming easy even for first-time users.
- From program testing to full production, improved operating ease helps reduce cost and manpower requirements.



3D simulator for workcell layout and toolpath program testing

Software Integration



Global support

Epson supports robotics customers worldwide through an international network of sales and service offices, providing information about equipment configuration options and performing simulations of the tasks that customers want robots to perform. We are also partnered with systems integrators around the world, and can provide end-to-end turnkey solutions to meet virtually any process automation need.

	SCARA Robots											6-axis Robots									
	G/GX Series					LS Series				T Series		RS Series		C Series			N Series			VT6	
	Top-class speed, repeatability, and low residual vibration					Proven reliability and functionality				Built-in controller for cost-efficient automation		Original space-saving design for high productivity		Slim, lightweight body for greater installation flexibility			Original compact design for greater freedom of movement in tight quarters			Compact, easy setup, low TCO	
Publication page	▶ P.7	▶ P.9	▶ P.13	▶ P.17		▶ P.21	▶ P.23	▶ P.25	▶ P.27	▶ P.29	▶ P.31	▶ P.33	▶ P.35	▶ P.37	▶ P.39		▶ P.43	▶ P.45	▶ P.47	▶ P.49	▶ P.51
Model name	G1	GX4	GX8	GX10	GX20	LS3	LS6	LS10	LS20	T3	T6	RS3	RS4	C4	C8		C12	N2	N6-A850	N6-A1000	VT6L
Payload (kg)	4-axis 1 3-axis 1.5	Max 4	Max 8	Max 10	Max 20	Max 3	Max 6	Max 10	Max 20	Max 3	Max 6	Max 3	Max 4	Max 4	Max 8	Max 12	Max 2.5	Max 6	Max 6	Max 6	
Arm length (mm)	175 225	250 300 350	450 550 650	650 850	850 1000	400	500 600 700	600 700 800	800 1000	400	600	350	550	600 900	700 900 1400	1400	450	850	1000	900	
Environmental specifications	STD Class 3	STD ESD Class 3	STD ESD Class 3 IP65	STD ^{*1} Class 3 IP65	STD ^{*1} Class 3 IP65	STD Class 4	STD Class 4	STD Class 4	STD Class 4	STD ^{*1}	STD ^{*1}	STD Class 3	STD Class 3	STD Class 3	STD Class 3 Class 4 IP67	STD Class 4	STD	STD Class 5	STD Class 5	STD Class 4 IP67	
Installation specifications	Table Top mount	Wall mount Ceiling mount	Wall mount Ceiling mount	Wall mount Ceiling mount	Wall mount Ceiling mount	Table Top mount	Wall mount	Wall mount	Wall mount	Table Top mount	Table Top mount	Table Top mount	Table Top mount	Table Top mount Wall mount Ceiling mount	Table Top mount	Table Top mount Wall mount Ceiling mount	Table Top mount	Table Top mount Wall mount Ceiling mount	Table Top mount Wall mount Ceiling mount	Table Top mount Wall mount Ceiling mount *2	
Compatible controller	RC700-A	RC700-E	RC700-E	RC700-E	RC700-E	RC90-B	RC90-B	RC90-B	RC90-B	Built-in controller	Built-in controller	RC700-A	RC700-A	RC700-A	RC700-A	RC700-A	RC700-A	RC700-A	RC700-A	Built-in controller	

*1: IP20 *2: Standard model only

<p>STD Standard</p> <p>Class 3 Cleanroom model ISO 03 (Class 10 equiv.) ESD suppression</p> <p>IP65 Protection model IP65</p> <p>Class 4 Cleanroom model ISO 04 (Class 100 equiv.)</p> <p>IP67 Protection model IP67</p> <p>Class 5 Cleanroom model ISO 05 (Class 100 equiv.)</p> <p>Table Top mount</p> <p>Wall mount</p> <p>Ceiling mount</p> <p>Wall/ceiling multi-layout mount</p>	<p>Controllers ▶ P.53</p> <p>GYROPLUS Technology ▶ P.56</p> <p>Software ▶ P.57</p> <p>Epson RC+ Express ▶ P.62</p>	<p>Safety solution of Epson robot ▶ P.63</p> <p>Vision system ▶ P.64</p> <p>Part feeding ▶ P.67</p> <p>Force sensing ▶ P.69</p>	<p>Software options ▶ P.73</p> <p>Robot controller options ▶ P.77</p> <p>Manipulator options ▶ P.78</p> <p>Option quick-reference table ▶ P.79</p> <p>Option setup example ▶ P.80</p>
--	--	---	--

Compact, high-rigidity body for precision assembly and press-fit applications

- Our lightest G series robot (8kg)
- Available with 175mm or 225mm arm
- 3-axis model available for screw-in, press-fit with hand offset, and dispensing tasks



Model Number	G1 - 17 1 S □ - UL			
Payload	1	1kg	UL specification	□: Non UL compliant -UL: UL compliant
Arm length	17	175mm	Axis	□: 4-axis spec Z: 3-axis spec
Joint #3 stroke	1	100mm	Environment	S: Standard C: Cleanroom & ESD
		80mm: Cleanroom-model		

Specifications

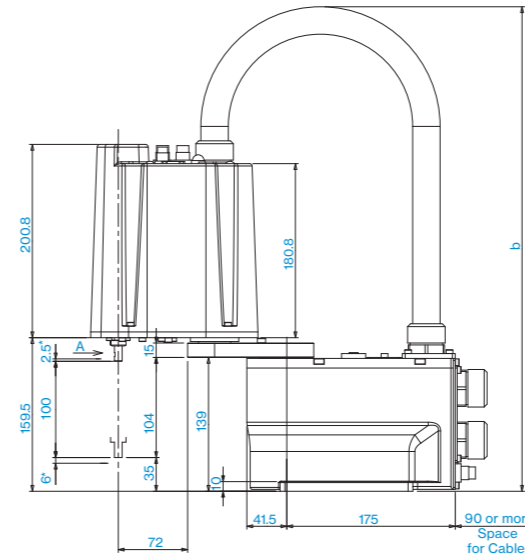
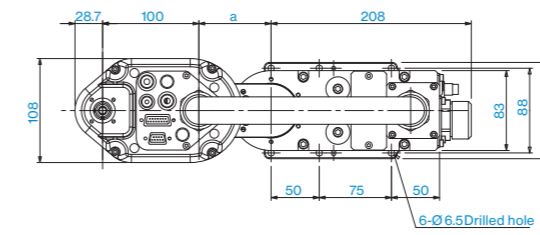
Model name		G1			
		4-axis		3-axis	
Model number		G1-171□	G1-221□	G1-171□Z	G1-221□Z
Arm length	Arm #1, #2	175 mm	225 mm	175 mm	225 mm
Payload	Rated	0.5 kg		0.5 kg	
	Maximum	1 kg		1.5 kg	
Repeatability	Joints #1, #2	±0.005 mm	±0.008 mm	±0.005 mm	±0.008 mm
	Joint #3	±0.01 mm			
	Joint #4	±0.01 deg			
Standard cycle time*1		0.29 sec	0.30 sec	0.29 sec	0.30 sec
Max. operating speed	Joints #1, #2	2630 mm/sec	3000 mm/sec	2630 mm/sec	3000 mm/sec
	Joint #3	1200 mm/sec			
	Joint #4	3000 deg/sec			
Joint #4 allowable moment of inertia*2	Rated	0.0003 kg·m ²		-	
	Maximum	0.004 kg·m ²		-	
Joint #3 down force		50 N			
Installation environment		Standard/Cleanroom*3 &ESD			
Mounting type		Table Top		Table Top	
Weight (cables not included)		8 kg		8 kg	
Applicable Controller		RC700-A			
Installed wire for customer use		15 Pin D-Sub, 9 Pin D-Sub			
Installed pneumatic tube for customer use		Φ6 mm x 2, Φ4 mm x 1: 0.59 MPa (6 kgf/cm ²)			
Power		AC200-240 V Single phase			
Power Consumption*4		0.5 kVA			
Cable length		3 m/5 m/10 m/15 m/20 m			
Safety standard		CE, KC, UL			

*1: Cycle time based on round-trip arch motion (100mm horizontal, 25mm vertical) with 0.5kg payload (path coordinates optimized for maximum speed).
 *2: When payload center of gravity is aligned with Joint #4; if not aligned with Joint #4, set parameters using INERTIA command.
 *3: Complies with ISO Class 3 (ISO14644-1) and older Class 1 cleanroom standards.
 *4: Varies according to operating environment and program.

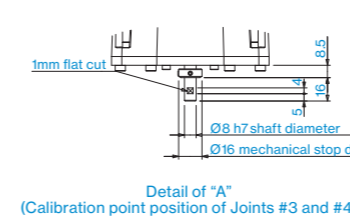
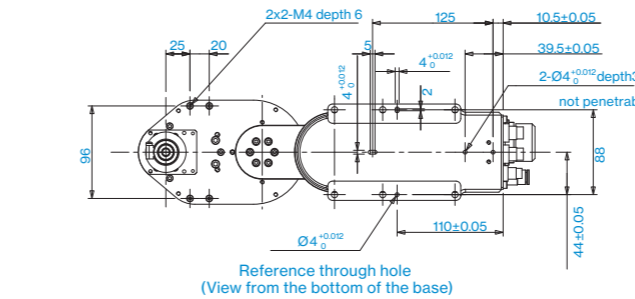
Outer Dimensions (Table Top Mounting)

[Unit: mm]

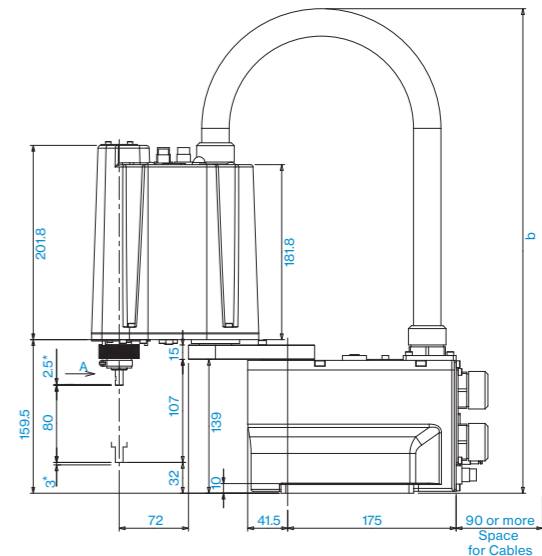
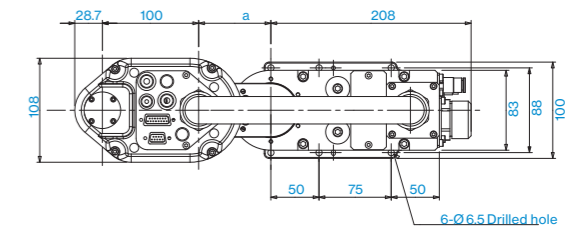
Standard-model



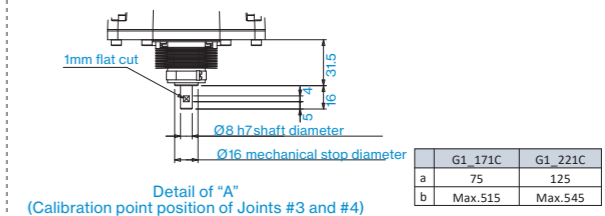
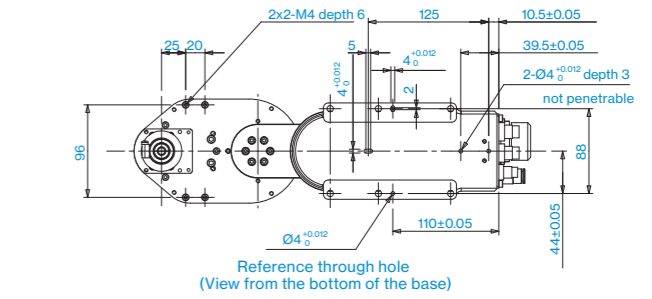
* Indicates the stroke margin by mechanical stop.



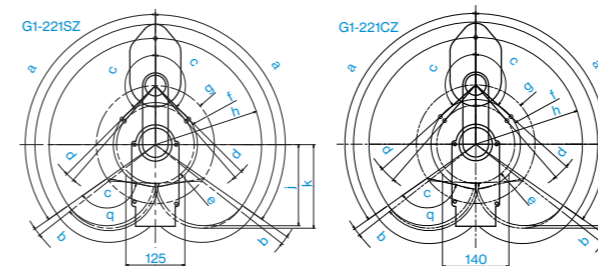
Cleanroom-model



* Indicates the stroke margin by mechanical stop.



Motion Range (Table Top Mounting)

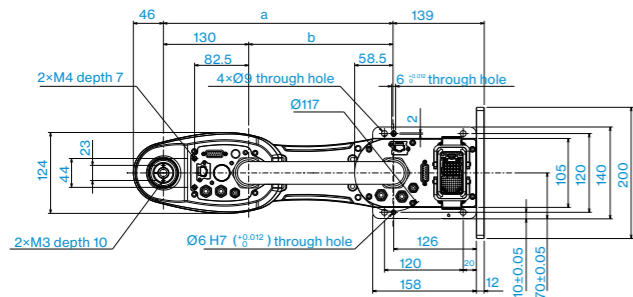


Model	4-axis				3-axis			
	G1-171S	G1-171C	G1-221S	G1-221C	G1-171SZ	G1-171CZ	G1-221SZ	G1-221CZ
g Length of Arm #1 (mm)	75	125	75	125				
h-g Length of Arm #2 (mm)	100	100	100	100				
f Motion range	64.3	59.6	64.8	70.9	86.4	89.2	94.4	
a Motion range of Joint #1 (°)	125	125	125	125				
c Motion range of Joint #2 (°)	140	152	149	135	123	135	132	
e Mechanical stop area	60.4	62.6	52.8	56.2	69.2	82.5	82.2	
b Joint #1 angle to hit mechanical stop (°)	3	3	3	3	3	3	3	
d Joint #2 angle to hit mechanical stop (°)	3	4	5	1.3	3	4	7	

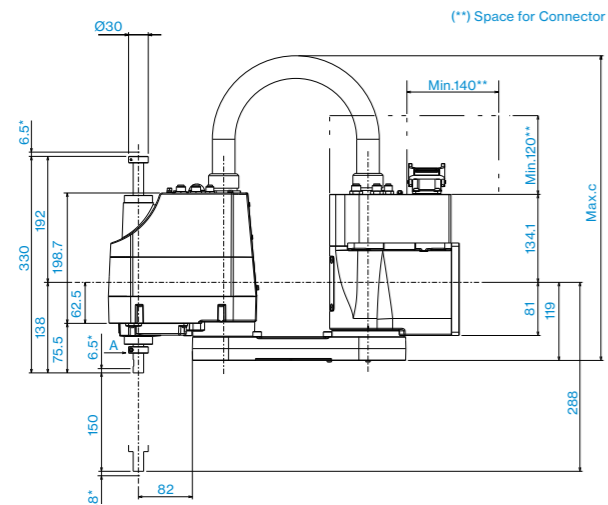
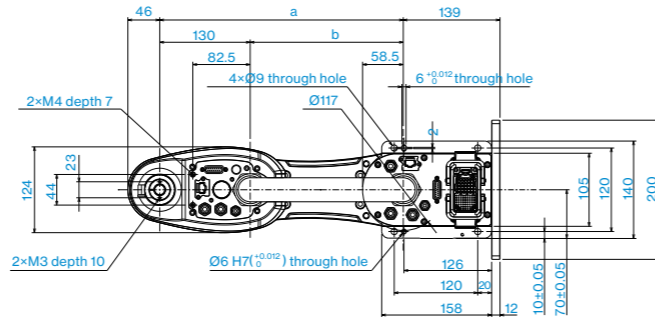
Outer Dimensions (Multiple Mounting)

[Unit: mm]

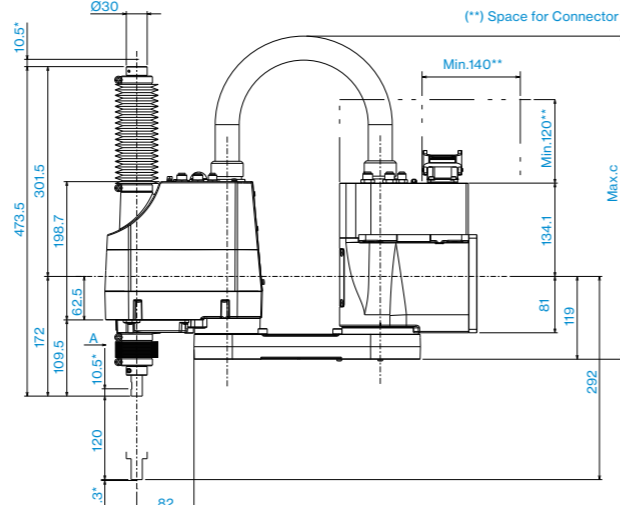
Standard-model



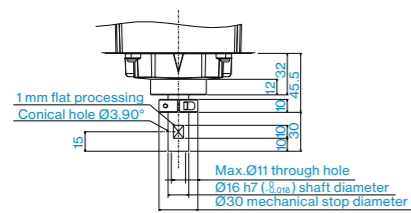
Cleanroom-model



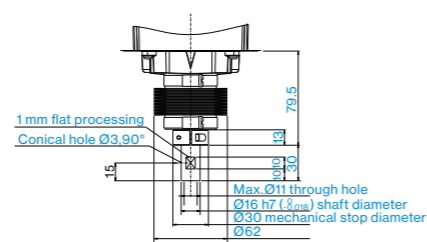
* indicates the stroke margin by mechanical stop.



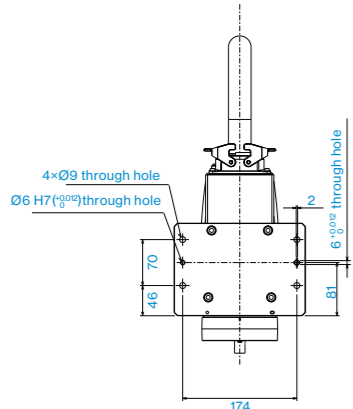
* indicates the stroke margin by mechanical stop.



Detail of "A"
(Calibration point position of Joints #3 and #4)

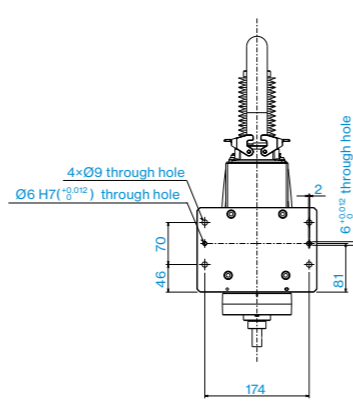


Detail of "A"
(Calibration point position of Joints #3 and #4)



Reference through hole
(View from the bottom of the base)

	GX4-□301SM	GX4-□351SM
a	300	350
b	170	220
c	475	500



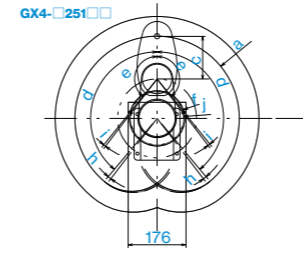
Reference through hole
(View from the bottom of the base)

	GX4-□301CM	GX4-□351CM
a	300	350
b	170	220
c	475	500

Motion Range (Table Top Mounting)

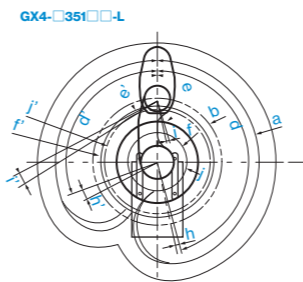
[Unit: mm]

Straight Arm



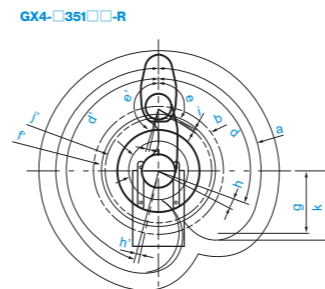
Model	Straight Arm					
	GX4-□251S	GX4-□251C	GX4-□301S	GX4-□301C	GX4-□351S	GX4-□351C
a	250		300		350	
c	130					
d	140					
e	141	137	142	141	142	
f	87	95	105	107	142	
h	2.5					
i	1.5		2.4	1.6	2.5	
j	84	92	99	103	137	

Left-Curved Arm



Model	Left-Curved Arm	
	GX4-□351S-L	GX4-□351C-L
a	350	
c	130	
d/d'	165 / 110	
e/e'	165 / 120	160 / 120
f/f'	100 / 192	107 / 192
h/h'	3.0 / 7.0	
i/i'	2.8 / 3.8	3.5 / 3.8
j/j'	97 / 183	102 / 183

Right-Curved Arm

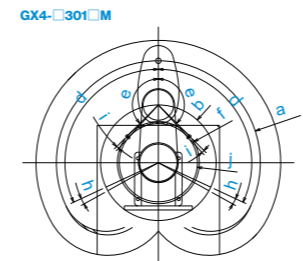


Model	Right-Curved Arm			
	GX4-□301S-R	GX4-□301C-R	GX4-□351S-R	GX4-□351C-R
a	300		350	
c	130			
d	115		120	
e	135		142	
f	121		142	
h	4.0			
i	2.5			
j	115		137	

Motion Range (Multiple Mounting)

[Unit: mm]

Straight Arm



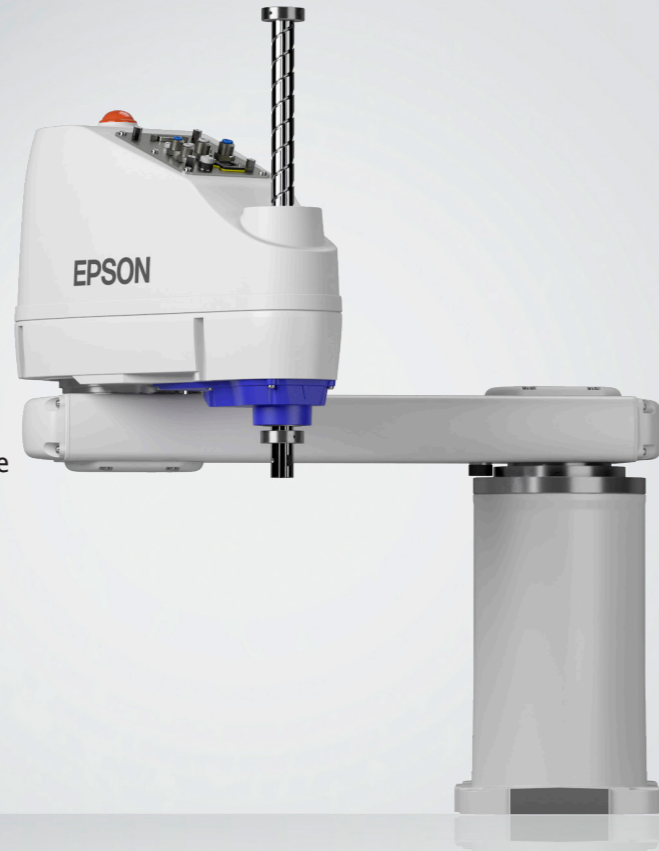
Model	Straight Arm	
	GX4-□301SM	GX4-□351CM
a	350	
c	130	
d/d'	110 / 165	
e/e'	120 / 165	120 / 160
f/f'	192 / 100	192 / 107
h/h'	7.0 / 3.0	
i/i'	3.8 / 2.8	3.8 / 3.5
j/j'	183 / 97	183 / 102

GX8



High speed and precision for small component assembly

- Handles payloads up to 8kg
- Available with 450mm, 550mm, or 650mm arm
- Internal cabling and ducting minimizes interference worries
- IP65 dust and water-resistant cleanroom models available
- Tabletop, ceiling, and wall mounting models available



Model Number	GX8-□45□2□□		
Controller	A: RC700-D	B: RC700-E	
Arm length	45: 450mm	55: 550mm	65: 650mm
Joint #3 stroke	2: 200mm: (Standard, ESD)	170mm: (Cleanroom & ESD, Protection)	330mm: (Standard, ESD)
	3: 300mm: (Cleanroom & ESD, Protection)		
Environment	S: Standard (equivalent to IP20)	E: ESD (anti-static)	C: Cleanroom & ESD (anti-static)
	P: Protection class: IP 65		
Cable mounting direction	□: Standard	B: Bottom side (table top only)	
Mounting type	□: Table Top Mounting	W: Wall Mounting	R: Ceiling Mounting

Specifications

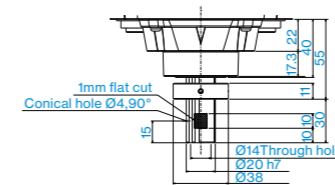
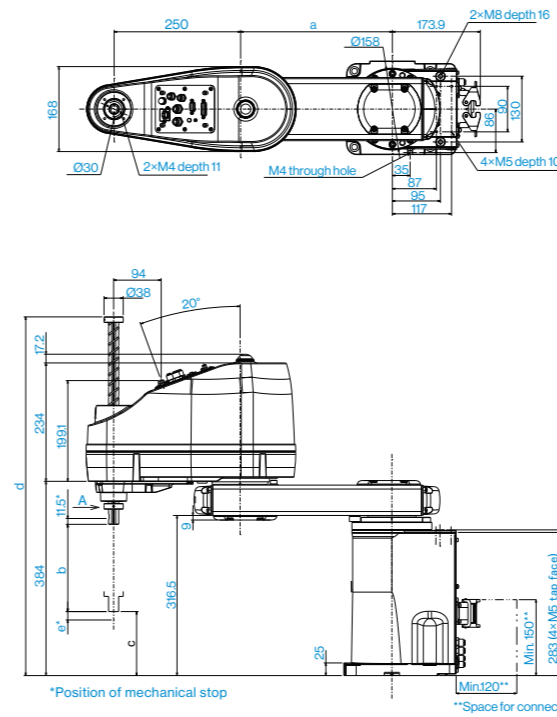
Model name		GX8		
Model number		GX8-□45□□	GX8-□55□□	GX8-□65□□
Arm length	Arm #1, #2	450mm	550mm	650mm
Payload	Rated	4kg		
	Maximum	8kg		
Repeatability	Joints #1, #2	±0.015 mm		
	Joint #3	±0.01 mm		
	Joint #4	±0.005 deg		
Standard cycle time ¹		0.28 sec	0.30sec	0.33 sec
Max. operating speed	Joints #1, #2	7450 mm/sec	8450 mm/sec	9460 mm/sec
	Joint #3	2350 mm/sec		
	Joint #4	2800 deg		
Joint #4 allowable moment of inertia ²	Rated	0.01 kg·m ²		
	Maximum	0.16 kg·m ²		
Joint #3 down force		150 N		
Installation environment		Standard (equivalent to IP20), Cleanroom ³ & ESD ⁴ , IP65, E: ESD ⁴		
Mounting type		Table top mounting, Wall mounting, Ceiling mounting		
Weight (cables not included)		Table top/Ceiling: 33, Wall: 35	Table top/Ceiling: 34, Wall: 36	Table top/Ceiling: 35, Wall: 37
Applicable Controller		A: RC700-D B: RC700-E		
Installed wire for customer use		D-sub 15 pin x1, 9 pin x1, 8 pin (RJ45) x1		
Installed pneumatic tube for customer use		Ø4 mm x 2, Ø6 mm x 2: 0.59 MPa (6 kgf/cm ²)		
Power		AC200-240 V Single phase		
Power Consumption ⁵		2.2 kVA		
Cable length		Standard: 3 / 5 / 10 / 15 / 20, Flexible: 5 / 10 / 15 / 20		
Safety standard		CE, UKCA, KC, NRTL		

¹: Cycle time based on round-trip arch motion (300 mm horizontal, 25 mm vertical) at rated payload setting of table top model boost mode (path coordinates optimized for maximum speed).
²: Set the parameters by the Inertia command according to the load and end effector status (refer to the instruction manual for the parameter calculation method).
³: Complies with ISO Class 3 (ISO14644-1) and Fed-std209D Class 1 (less than 10 0.1 μm particles per 28,317cm³:1cf) cleanroom standards.
⁴: Main resin parts of the ESD model use conductive materials or apply plate processing. For the tip of the Manipulator (tool mounting part), we have confirmed that it is +/- 5V or less even immediately after operating the measurement under our standard.
⁵: Varies according to operating environment and program.

Outer Dimensions (Table Top Mounting)

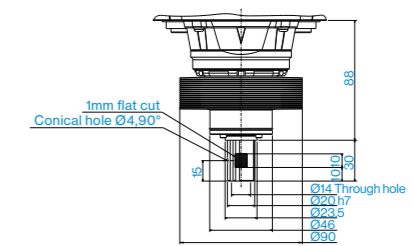
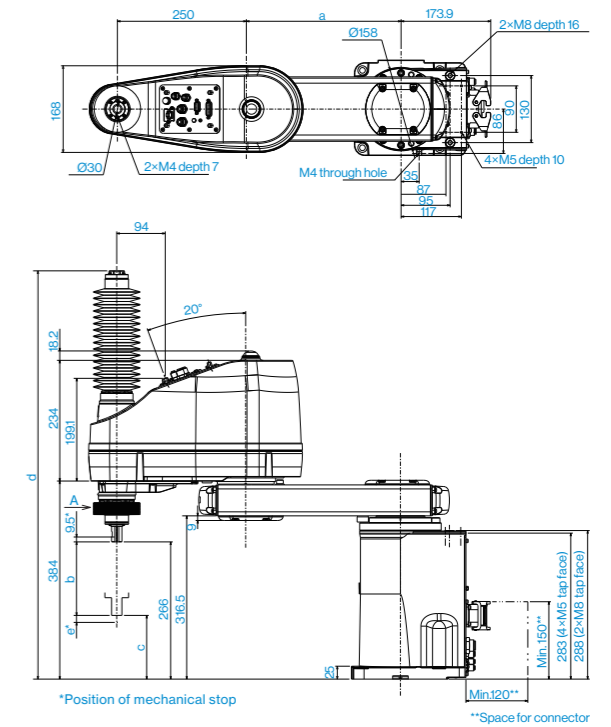
[Unit: mm]

Standard-model



	GX8-□452S,E	GX8-□453S,E	GX8-□552S,E	GX8-□553S,E	GX8-□652S,E	GX8-□653S,E
a	200	200	300	300	400	400
b	200	330	200	330	200	330
c	99	-31	99	-31	99	-31
d	709	834	709	834	709	834
e	15.6	10.6	15.6	10.6	15.6	10.6

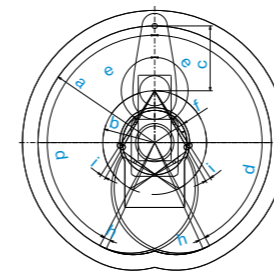
Cleanroom-model



	GX8-□452C	GX8-□453C	GX8-□552C	GX8-□553S,E	GX8-□652C	GX8-□653C
a	200	200	300	300	400	400
b	170	300	170	330	170	300
c	96	-34	96	-34	96	-34
d	791.5	910.5	791.5	910.5	791.5	910.5
e	12.6	7.6	12.6	7.6	12.6	7.6

Motion Range (Table Top Mounting)

GX8-□45□□□



Model	GX8-□45□S□□	GX8-□45□E□□	GX8-□45□C□□	GX8-□45□P□□
a Length of Arm #1+ Arm #2 (mm)	450			
b Length of Arm #1 (mm)	200			
c Length of Arm #2 (mm)	250			
d Motion range of Joint #1 (°)	152			
e Motion range of Joint #2 (°)	0 ≥ Z ≥ -270	175	0 ≥ Z ≥ -240	147.5
	-270 ≥ Z ≥ -330	145	-240 ≥ Z ≥ -300	137.5
f Motion range	0 ≥ Z ≥ -270	134.8	0 ≥ Z ≥ -240	134.8
	-270 ≥ Z ≥ -330	145	-240 ≥ Z ≥ -300	137.5
h Joint #1 angle to hit mechanical stop (°)	1.4			
i Joint #2 angle to hit mechanical stop (°)	0 ≥ Z ≥ -270	3.1	0 ≥ Z ≥ -240	3.1
	-270 ≥ Z ≥ -330	5.6	-240 ≥ Z ≥ -300	13.1
j Mechanical stop area	0 ≥ Z ≥ -270	124	0 ≥ Z ≥ -240	124
	-270 ≥ Z ≥ -330	124	-240 ≥ Z ≥ -300	121.6

GX10 GX20



For high-speed, high-precision, multi-hand batch handling and packing of heavier loads

- Handles payloads of up to 10/20kg
- Choice of 650mm, 850mm, and 1000mm arm
- Internal cabling and ducting minimizes interference worries
- IP65 dust and water-resistant cleanroom models available
- Tabletop, ceiling, and wall mounting models available



Model Number	GX □ - B 65 1 S □			
Payload	□10	□20		
	: 10 kg	: 20 kg		
Arm length	□65	□85	□A0	
	: 650mm (GX10 series only)	: 850mm	: 1000mm (GX20 series only)	
Mounting type	□	W	R	
	: Table Top Mounting	: Wall Mounting	: Ceiling Mounting	
Joint #3 stroke	□1	□2	□4	□3
	: 180mm: (Standard)	: 150mm: (Cleanroom & ESD, Protection)	: 420mm: (Standard)	: 390mm: (Cleanroom & ESD, Protection)
Environment	S	C	P	
	: Standard (equivalent to IP20)	: Cleanroom & ESD (anti-static)	: Protection class: IP 65	

Specifications

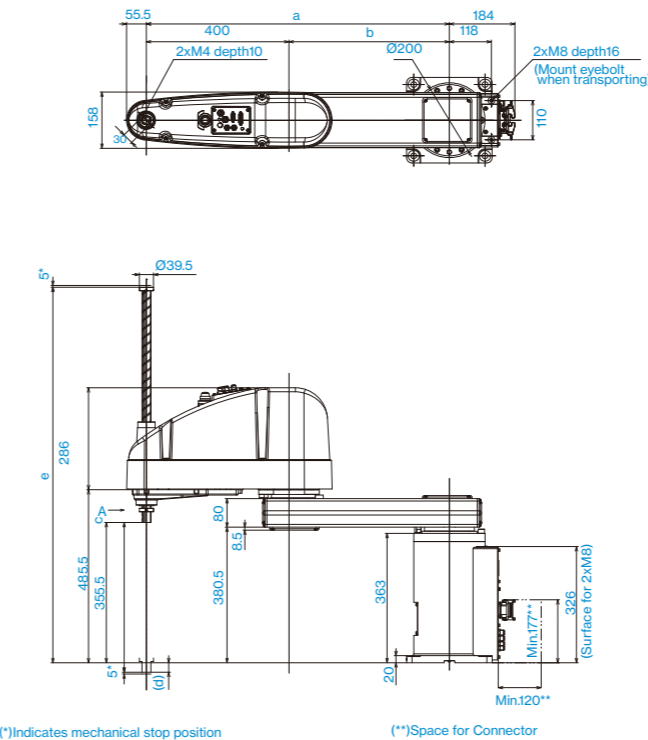
Model name		GX10 / 20			
Model number		GX10-B65□□□	G10-B85□□□	G20-B85□□□	G20-BA0□□□
Arm length	Arm #1, #2	650 mm	850 mm	850 mm	1000 mm
Payload	Rated	5 kg	10 kg	10 kg	10 kg
	Maximum	10 kg	20 kg	20 kg	20 kg
Repeatability	Joints #1, #2	±0.025 mm			
	Joint #3	±0.01 mm			
	Joint #4	±0.005 deg			
Standard cycle time*1		0.338 sec	0.377 sec	0.365 sec	0.422 sec
Max. operating speed	Joints #1, #2	8800 mm/s	11000 mm/s	11000 mm/s	11500 mm/s
	Joint #3	2350 mm/s			
	Joint #4	2400 deg/s		1700 deg/s	
Joint #4 allowable moment of inertia*2	Rated	0.02 kg·m ²	0.05 kg·m ²	0.05 kg·m ²	0.05 kg·m ²
	Maximum	0.25 kg·m ²	0.45 kg·m ²	0.45 kg·m ²	0.45 kg·m ²
Joint #3 down force		250 N			
Installation environment		Standard (equivalent to IP20), Cleanroom*3 & ESD*4, IP65			
Mounting type		Table top mounting, Wall mounting, Ceiling mounting			
Weight (cables not included)		Table top/Ceiling: 46, Wall: 51	Table top/Ceiling: 49, Wall: 53	Table top/Ceiling: 50, Wall: 55	
Applicable Controller		RC700-E			
Installed wire for customer use		D-sub 15 pin x1, 9 pin x1, 8 pin (RJ45) x1			
Installed pneumatic tube for customer use		Ø4 mm x 2, Ø6 mm x 2: 0.59 MPa (6 kgf/cm ²)			
Power		AC200-240 V Single phase			
Power Consumption*5		2.4 kVA			
Cable length		Standard: 3 / 5 / 10 / 15 / 20, Flexible: 5 / 10 / 15 / 20			
Safety standard		CE, UKCA, KC, NRTL			

*1: Cycle time based on round-trip arch motion (300mm horizontal, 25mm vertical) with 2kg payload (path coordinates optimized for maximum speed).
 *2: Set the parameters by the Inertia command according to the load and end effector status (refer to the instruction manual for the parameter calculation method).
 *3: Complies with ISO Class 3 (ISO14644-1) and Fed-std209D Class 1 (less than 10 0.1 μm particles per 28,317cm³:1cf) cleanroom standards.
 *4: Main resin parts of the ESD model use conductive materials or apply plate processing. For the tip of the Manipulator (tool mounting part), we have confirmed that it is +/- 5V or less even immediately after operating the measurement under our standard.
 *5: Varies according to operating environment and program.

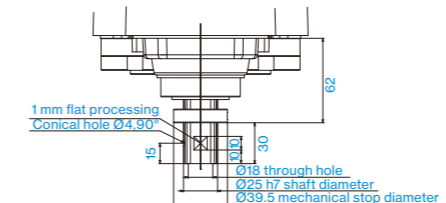
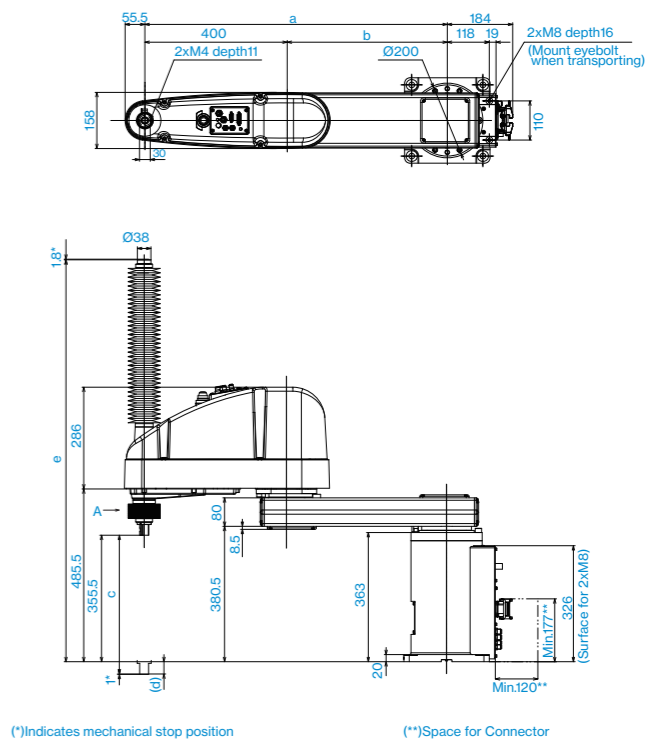
Outer Dimensions (Table Top Mounting)

[Unit: mm]

Standard-model



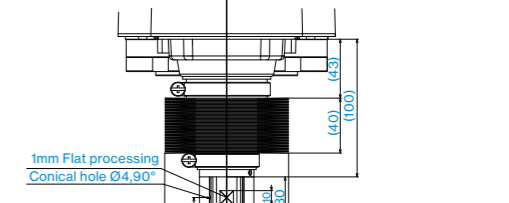
Cleanroom-model



Detail of "A"
(Calibration point position of Joints #3 and #4)

	GX10-□65□□S	GX10-□85□□S	GX20-□85□□S	GX20-□A0□□S
a	650	850	850	1000
b	250	450	450	600

	GX10/20-□□□1S	GX10/20-□□□4S
c	180	420
d	-213.5	26.5
e	813.5	1053.5

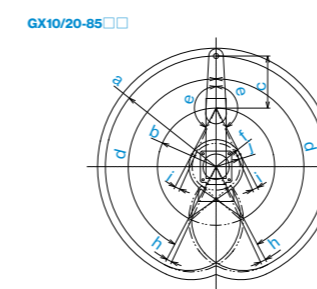


Detail of "A"
(Calibration point position of Joints #3 and #4)

	GX10-□65□□C	GX10-□85□□C	GX20-□85□□C	GX20-□A0□□C
a	650	850	850	1000
b	250	450	450	600

	GX10/20-□□□1C	GX10/20-□□□4C
c	150	390
d	-205.5	34.5
e	870.5	1129.5

Motion Range (Table Top Mounting)



Model	GX10-□65□□S GX10-□65□□C GX10-□65□□P	GX10-□85□□S GX20-□85□□S	GX10-□85□□C GX20-□85□□P	GX20-□A0□□S GX20-□A0□□C GX20-□A0□□P
a Length of Arm #1 + Arm #2 (mm)	650	850	850	1000
b Length of Arm #1 (mm)	250	450	450	600
c Length of Arm #2 (mm)	400			
d Motion range of Joint #1 (°)	152			
e Motion range of Joint #2 (°)	152.5	152.5	0 ≥ Z ≥ -360	152.5
			-360 ≥ Z ≥ -390	151
f Motion range	212.4	207.8	0 ≥ Z ≥ -360	207.8
			-360 ≥ Z ≥ -390	218.3
h Joint #1 angle to hit mechanical stop (°)	3			
i Joint #2 angle to hit mechanical stop (°)	3.5	3.5	0 ≥ Z ≥ -360	3.5
			-360 ≥ Z ≥ -390	5
j Mechanical stop area	199.4	183.3	183.3	285.4

LS series reliability and performance with improved operating ease

- Built-in Ethernet port on arm for easier camera connectivity
- Batteryless motor unit for reduced maintenance
- Diagonally oriented rear ducting for a lower profile that helps reduce installation space requirements



Model Number	LS6 - B60 2 S		
Payload	6 : 6kg	Environment	S : Standard C : Cleanroom
Arm length	50 : 500mm 60 : 600mm 70 : 700mm	Joint #3 stroke	2 : 200mm: Standard-model 170mm: Cleanroom-model (with bellows)

Specifications

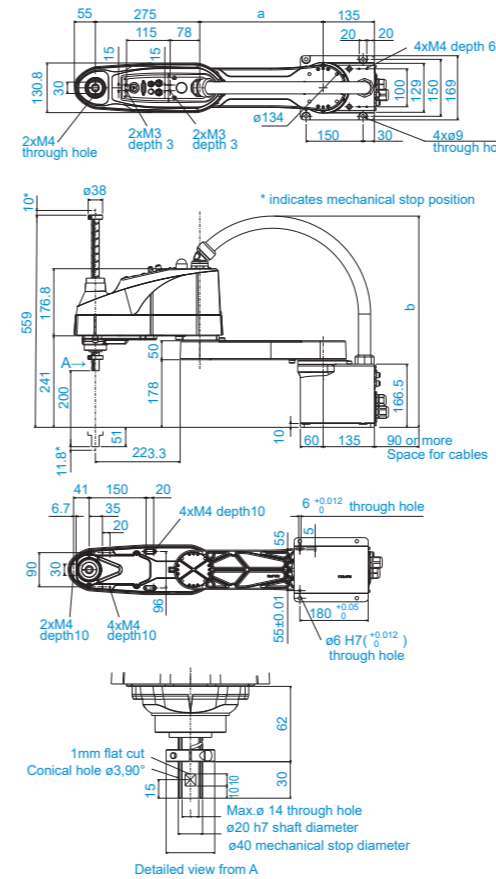
Model name		LS6-B		
Model number		LS6-B502S/C	LS6-B602S/C	LS6-B702S/C
Arm length	Arm #1, #2	500 mm	600 mm	700 mm
Payload*1	Rated	2 kg		
	Maximum	6 kg		
Repeatability	Joints #1, #2	±0.02 mm		
	Joint #3	±0.01 mm		
	Joint #4	±0.01 deg		
Standard cycle time*2		0.39 sec	0.40 sec	0.42 sec
Max. operating speed	Joints #1, #2	7120 mm/sec	7850 mm/sec	8590 mm/sec
	Joint #3	1100 mm/sec		
	Joint #4	2000 deg/sec		
Joint #4 allowable moment of inertia*3	Rated	0.01 kg·m²		
	Maximum	0.12 kg·m²		
Joint #3 down force		100 N		
Installation environment		Standard or Clean*4		
Mounting type		Table Top Mounting		
Weight(cables not included)		17 kg		18 kg
Applicable Controller		RC90-B		
Installed wire for customer use		D-sub 15 pin x1, RJ45 8 pin (Cat 5e Class) x1		
Installed pneumatic tube for customer use		Ø4 mm x 1, Ø6 mm x 2		
Power		AC200-240 V Single phase		
Power Consumption*5		1.1kVA		
Cable length		3 m/5 m/10 m		
Safety standard		CE, KC		

*1 : Do not apply the load exceeding the maximum payload.
 *2 : Cycle time based on round-trip arch motion (300mm horizontal, 25mm vertical) with Accel 120% and 2 kg payload (path coordinates optimized for maximum speed). Rounded down to the third decimal place.
 *3 : If the center of gravity is at the center of each arm. If the center of gravity is not at the center of each arm, set the eccentric quantity using INERTIA command.
 *4 : Complies with ISO Class 4 cleanroom standards.
 *5 : It depends on environment and motion program.

Outer Dimensions (Table Top Mounting)

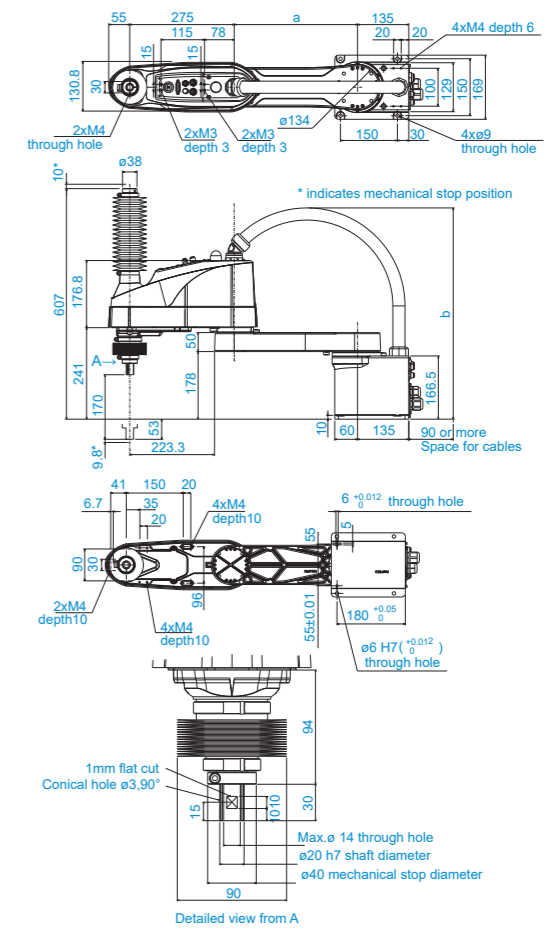
[Unit: mm]

Standard-model



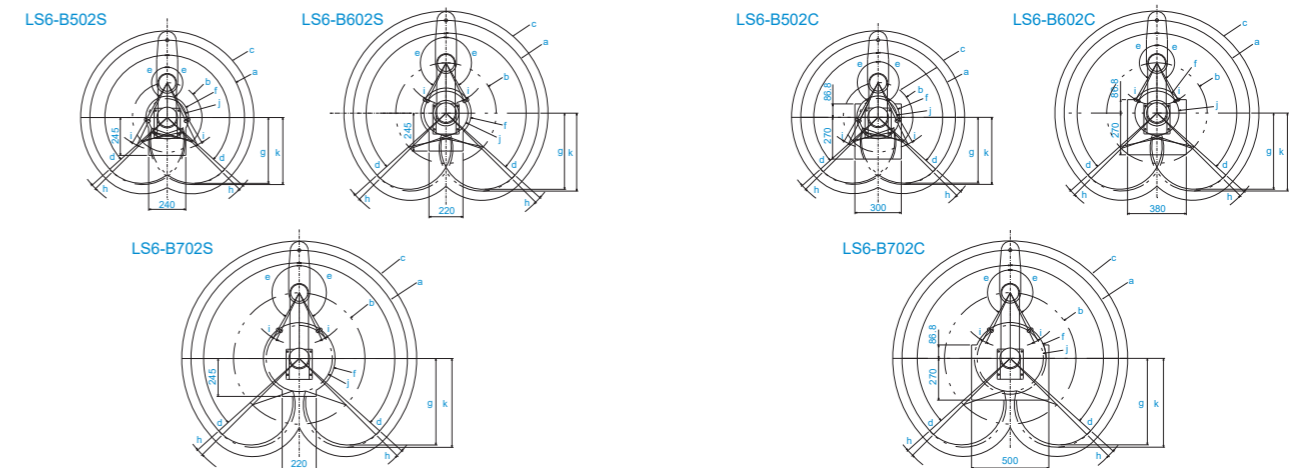
	LS6-B502S	LS6-B602S	LS6-B702S
a	225	325	425
b	529	559	589

Cleanroom-model



	LS6-B502C	LS6-B602C	LS6-B702C
a	225	325	425
b	529	559	589

Motion Range (Table Top Mounting)



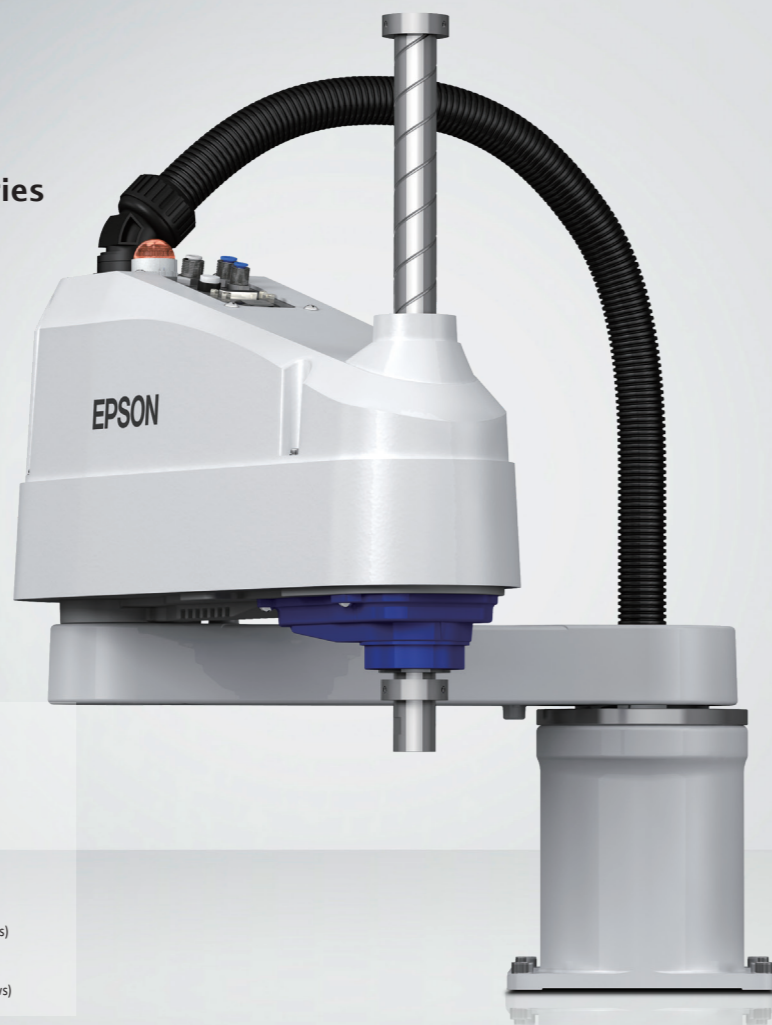
Model	LS6-B502□	LS6-B602□	LS6-B702□
a Arm #1 + Arm #2 length (mm)	500	600	700
b Arm #1 length (mm)	225	325	425
c Max. motion range (mm)	556	656	756
d Joint #1 motion angle (°)	132		
e Joint #2 motion angle (°)	150		
f Motion range (mm)	138.1	162.6	232
g Motion range at the rear (mm)	425.6	492.5	559.4
h Angle of the Joint #1 mechanical stop (°)	2.8		
i Angle of the Joint #2 mechanical stop (°)	4.2		
j Mechanical stop area (mm)	121.8	142.5	214
k Mechanical stop area at the rear (mm)	433.5	504	574.5

LS10



A versatile new addition to the proven reliability and performance of the LS series

- 10kg payload for applications requiring high inertia or the use of complex effectors
- A choice of three arm lengths and two ball screw lengths for high configurability to suit a variety of application requirements
- Built-in Ethernet port for easy camera connectivity
- Batteryless motor unit for reduced maintenance



Model Number	LS10 - B□□□	
Payload	10 : 10kg	
Environment	S : Standard	C : Cleanroom
Arm length	60 : 600mm	70 : 700mm
	80 : 800mm	
Joint #3 stroke	2 : 200mm: Standard-model	3 : 270mm: Cleanroom-model (with bellows)
		170mm: Cleanroom-model (with bellows)
		300mm: Standard-model

Specifications

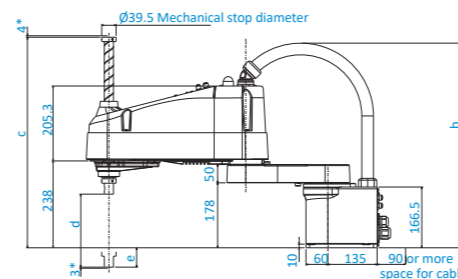
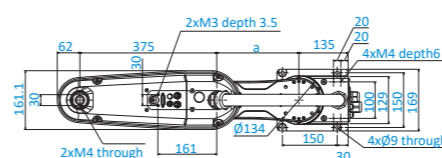
Model name		LS10		
Model number		LS10-B60□S/C	LS10-B70□S/C	LS10-B80□S/C
Arm length	Arm #1, #2	600 mm	700 mm	800 mm
	Rated	5 kg		
Payload*1	Maximum	10 kg		
	Repeatability	±0.02 mm		
Joint #3 stroke	Joints #1, #2	±0.01 mm		
	Joint #3	±0.01 deg		
	Joint #4	±0.01 deg		
Standard cycle time*2		0.39 sec	0.41 sec	0.44 sec
Max. operating speed	Joints #1, #2	9100 mm/sec		
	Joint #3	1100 mm/sec		
	Joint #4	2700 deg/sec		
Joint #4 allowable moment of inertia*3	Rated	0.02 kg·m ²		
	Maximum	0.3 kg·m ²		
Joint #3 down force		200 N		
Installation environment		Standard or Clean*4		
Mounting type		Table Top		
Weight(cables not included)		22 kg		23 kg
Applicable Controller		RC90-B		
Installed wire for customer use		D-sub 15 pin x1, RJ45 8 pin (Cat 5e equivalent) x1		
Installed pneumatic tube for customer use		Φ6 mm x 2, Φ4 mm x 1		
Power		AC200-240 V Single phase		
Power Consumption*5		1.8 kVA		
Cable length		3 m/5 m/10 m		
Safety standard		CE, KC		

*1: Do not apply the load exceeding the maximum payload.
 *2: Cycle time based on round-trip arch motion (300mm horizontal, 25mm vertical) with Accel 120% and 2 kg payload (path coordinates optimized for maximum speed).
 *3: If the center of gravity is at the center of each arm. If the center of gravity is not at the center of each arm, set the eccentric quantity using INERTIA command.
 *4: Complies with ISO Class 4 cleanroom standards.
 *5: It depends on operating environment and operation program.

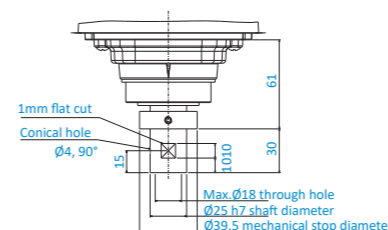
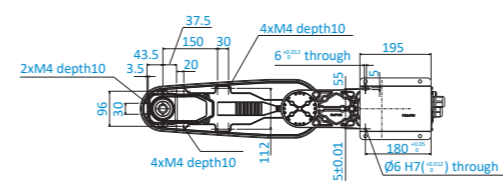
Outer Dimensions (Table Top Mounting)

[Unit: mm]

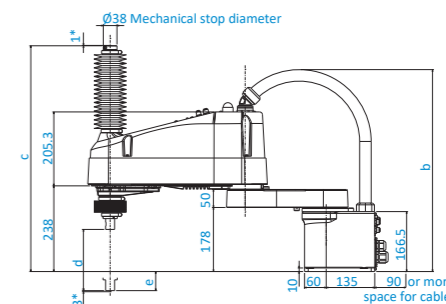
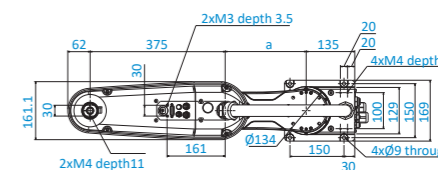
Standard-model



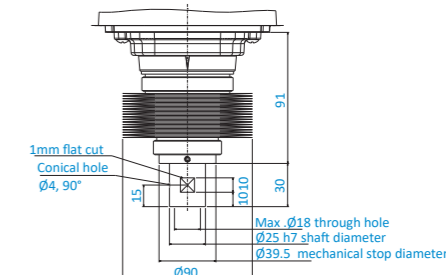
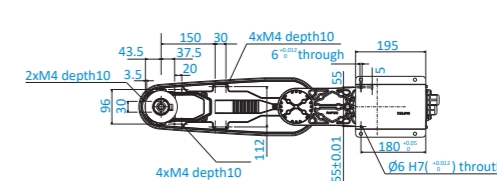
*indicates the stroke margin by mechanical stop.



Cleanroom-model



*indicates the stroke margin by mechanical stop.

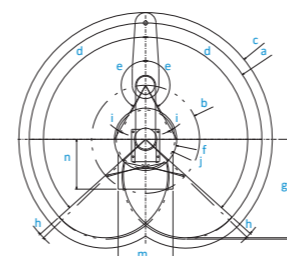


	LS10-B602S	LS10-B603S	LS10-B702S	LS10-B703S	LS10-B802S	LS10-B803S
a	225	225	325	325	425	425
b	Max.565	Max.565	Max.580	Max.580	Max.580	Max.580
c	577	677	577	677	577	677
d	200	300	200	300	200	300
e	53	153	53	153	53	153

	LS10-B602C	LS10-B603C	LS10-B702C	LS10-B703C	LS10-B802C	LS10-B803C
a	225	225	325	325	425	425
b	Max.565	Max.565	Max.580	Max.580	Max.580	Max.580
c	627	727	627	727	627	727
d	170	270	170	270	170	270
e	53	153	53	153	53	153

Motion Range (Table Top Mounting)

Standard-model / Cleanroom-model



Model	Standard			Cleanroom		
	LS10-B602S/B603S	LS10-B702S/B703S	LS10-B802S/B803S	LS10-B602C/B603C	LS10-B702C/B703C	LS10-B802C/B803C
a Length of Arm #1+Arm #2 (mm)	600	700	800	600	700	800
b Length of Arm #1 (mm)	225	325	425	225	325	425
c Max. motion range (mm)	663	763	863	663	763	863
d Motion range of Joint #1 (°)	132					
e Motion range of Joint #2 (°)	150					
f Motion range (mm)	212	188	213	212	188	213
g Motion range at the rear (mm)	526	592	659	526	592	659
h Joint #1 angle to hit mechanical stop (°)	2					
i Joint #2 angle to hit mechanical stop (°)	2					
j Mechanical stop area (mm)	206	176	200	206	176	200
k Mechanical stop area at the rear (mm)	531	601	670	531	601	670
m Motion range (mm)	420	330	320	420	400	480
n Motion range (mm)	300					

LS series reliability and performance with improved operating ease

- Higher allowable moment of inertia for improved performance when using large end effectors to perform multi-item pick-and-place operations
- Built-in Ethernet port on arm for easy camera connectivity
- Batteryless motor unit for reduced maintenance
- Improved duct design for low vibration during operation and easy cable installation



Model Number	LS20 - B80 4 S	
Payload	20 : 20kg	Environment
Arm length	80 : 800mm A0 : 1000mm	S : Standard C : Cleanroom
Joint #3 stroke	4 : 420mm: Standard-model 4 : 390mm: Cleanroom-model (with bellows)	

Specifications

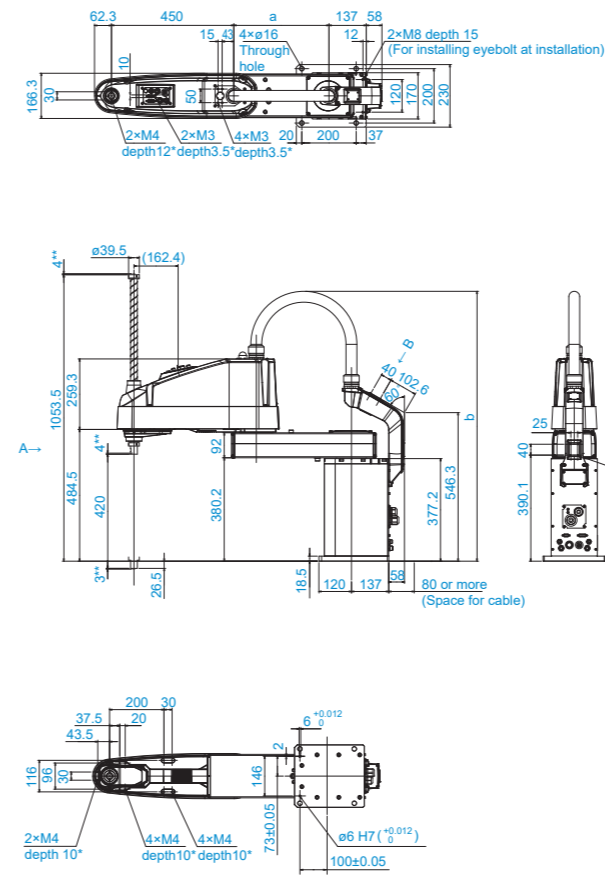
Model name		LS20	
Model number		LS20-B804S/C	LS20-BA04S/C
Arm length	Arm #1, #2	800 mm	1000 mm
Payload ^{*1}	Rated	10 kg	
	Maximum	20 kg	
Repeatability	Joints #1, #2	±0.025 mm	
	Joint #3	±0.01 mm	
	Joint #4	±0.01 deg	
	Standard cycle time ^{*2}	0.39 sec	0.43 sec
Max. operating speed	Joints #1, #2	9940 mm/sec	11250 mm/sec
	Joint #3	2300 mm/sec	
	Joint #4	1400 deg/sec	
Joint #4 allowable moment of inertia ^{*3}	Rated	0.05 kg·m ²	
	Maximum	1.00 kg·m ²	
Joint #3 down force		250 N	
Installation environment		Standard or Clean ^{*4}	
Mounting type		Table Top Mounting	
Weight(cables not included)		48 kg	51 kg
Applicable Controller		RC90-B	
Installed wire for customer use		D-sub 15 pin x1, D-sub 9 pin x1, RJ45 8 pin (CAT 5e) x1	
Installed pneumatic tube for customer use		Ø8 mm x 2, Ø6 mm x 2 : 0.59 MPa (6 kgf / cm ²)	
Power		AC200-240 V Single phase	
Power Consumption ^{*5}		2.4 kVA	
Cable length		3m/ 5m/ 10m	
Safety standard		CE, KC	

*1 : Do not apply the load exceeding the maximum payload.
 *2 : Cycle time based on round-trip arch motion (300 mm horizontal, 25 mm vertical) with Accel 120% and 2 kg payload (path coordinates optimized for maximum speed).
 *3 : If the center of gravity is at the center of each arm. If the center of gravity is not at the center of each arm, set the eccentric quantity using INERTIA command.
 *4 : Complies with ISO Class 4 cleanroom standards.
 *5 : It depends on operating environment and operation program.

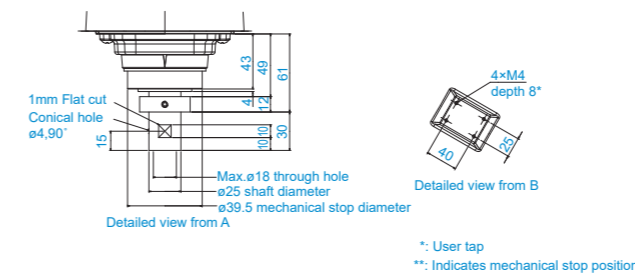
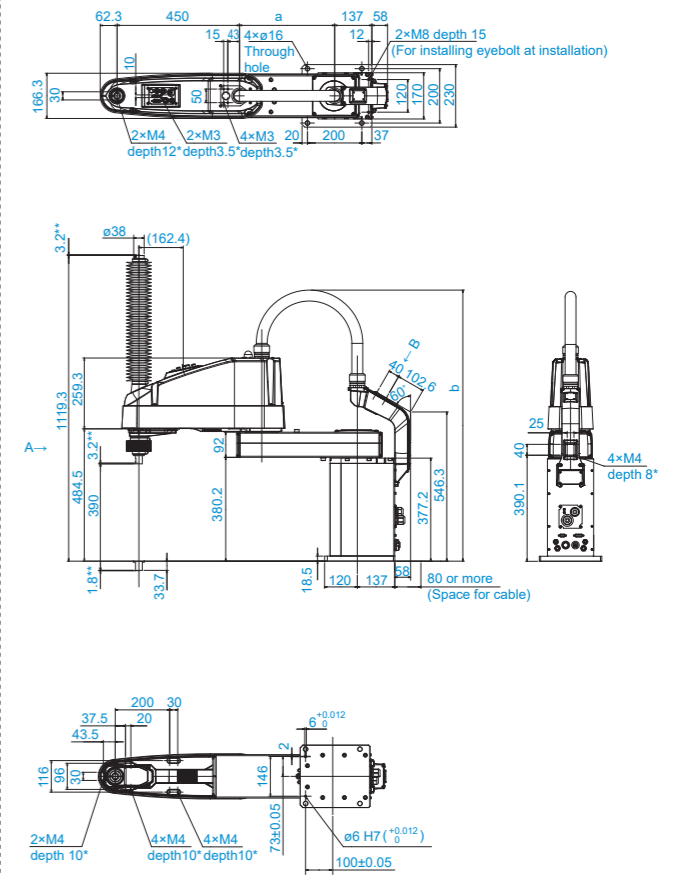
Outer Dimensions (Table Top Mounting)

[Unit: mm]

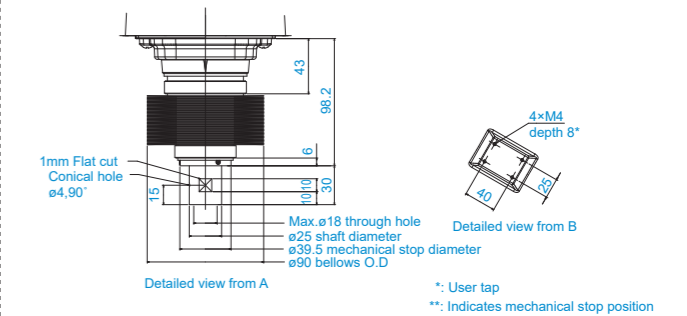
Standard-model



Cleanroom-model



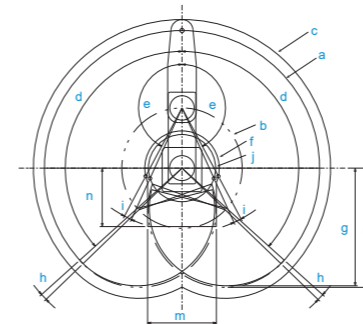
	LS20-B804S	LS20-BA04S
a	350	550
b	Max.1000	Max.1100



	LS20-B804C	LS20-BA04C
a	350	550
b	Max.1000	Max.1100

Motion Range (Table Top Mounting)

Standard-model / Cleanroom-model



Model	Standard		Cleanroom	
	LS20-B804S	LS20-A04S	LS20-B804C	LS20-A04C
a Length of Arm #1+Arm #2 (mm)	800	1000	800	1000
b Length of Arm #1 (mm)	350	550	350	550
c Length of Arm #2 (mm)	864	1064	864	1064
d Motion range of Joint #1 (°)	132			
e Motion range of Joint #2 (°)	152			
f Motion range (mm)	216.5	260.7	216.5	260.7
g Motion range at the rear (mm)	684.2	818	684.2	818
h Joint #1 angle to hit mechanical stop (°)	2			
i Joint #2 angle to hit mechanical stop (°)	3.6			
j Mechanical stop area (mm)	195.3	232.8	195.3	232.8
k Mechanical stop area at the rear (mm)	693.1	832.1	693.1	832.1
m Motion range (mm)	400	290	400	330
n Motion range (mm)	340	265	340	265

RS3



Folding rotating arm enables large working area in limited space

- 350mm arm has effective reach of 494mm in four directions
- All-direction access for greater freedom in workcell layout
- Enables use of large pallets without requiring large robot installation footprint

Model Number		RS3 - 35 1 S - UL	
Payload	3	UL specification	UL
Arm length	35	Environment	S
		Joint #3 stroke	1

Payload: 3 : 3kg
 Arm length: 35 : 350mm
 UL specification: : Non UL compliant, : UL compliant
 Environment: S : Standard, C : Cleanroom & ESD (Anti-static)
 Joint #3 stroke: 1 : 130mm, 1 : 100mm: Cleanroom-model

Specifications

Model name		RS3
Model number		RS3-351□
Arm length	Arm #1,#2	350 mm
	Rated	1 kg
Payload	Maximum	3 kg
	Repeatability	Joints #1, #2
Standard cycle time ^{*1}	Joint #3	±0.01 mm
	Joint #4	±0.01 deg
	Max. operating speed	0.34 sec
Max. operating speed	Joints #1, #2	6237 mm/sec
	Joint #3	1100 mm/sec
	Joint #4	2600 deg/sec
Joint #4 allowable moment of inertia ^{*2}	Rated	0.005 kg·m ²
	Maximum	0.05 kg·m ²
Joint #3 down force		150 N
Installation environment		Standard/Cleanroom ^{*3} & ESD
Mounting type		Ceiling
Weight (cables not included)		17 kg
Applicable Controller		RC700-A
Installed wire for customer use		15 Pin D-Sub
Installed pneumatic tube for customer use		∅6 mm x 2, ∅4 mm x 1: 0.59 MPa (6 kgf/cm ²)
Power		AC200-240 V Single phase
Power Consumption ^{*4}		1.2 kVA
Cable length		3 m/5 m/10 m/15 m/20 m
Safety standard		CE, KC, UL

*1: Cycle time based on round-trip arch motion (300mm horizontal, 25mm vertical) with 1kg payload (path coordinates optimized for maximum speed).

*2: When payload center of gravity is aligned with Joint #4; if not aligned with Joint #4, set parameters using INERTIA command.

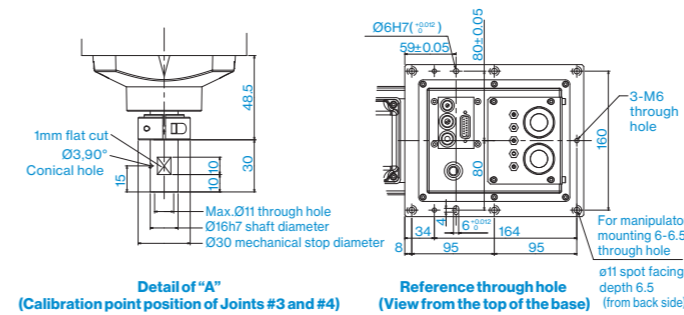
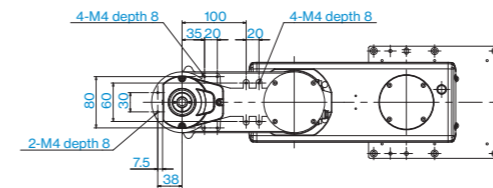
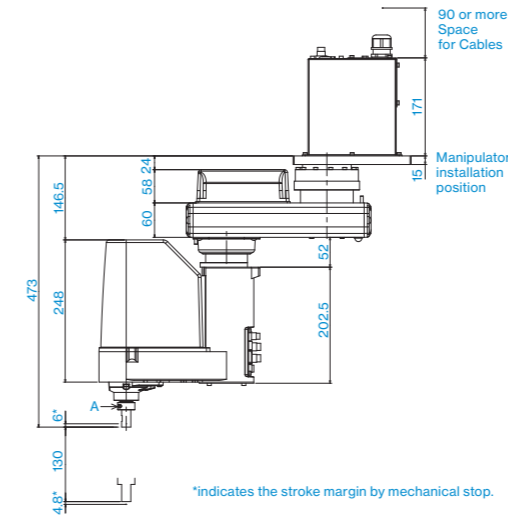
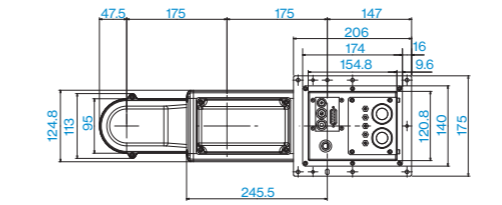
*3: Complies with ISO Class 3 (ISO14644-1) and older Class 1 (less than 10 0.1 m particles per 28,317cm³:1cft) cleanroom standards.

*4: Varies according to operating environment and program.

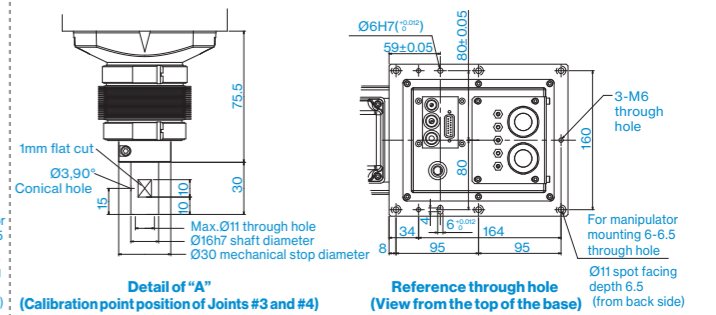
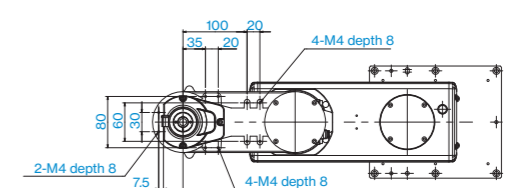
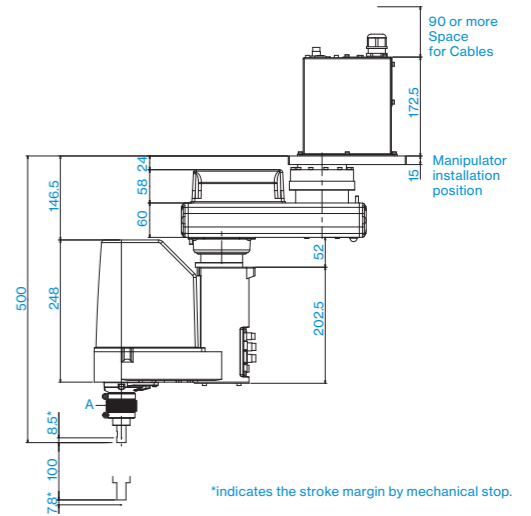
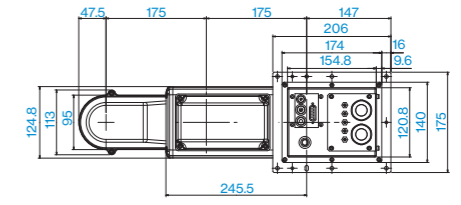
Outer Dimensions (Ceiling Mounting)

[Unit: mm]

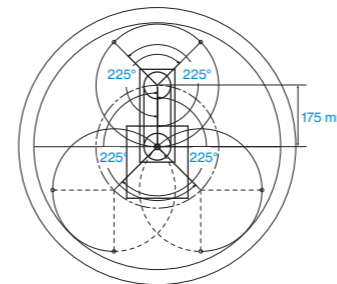
Standard-model



Cleanroom-model



Motion Range (Ceiling Mounting)



Model	RS3-351□
Arm #1 Length (mm)	175
Arm #2 Length (mm)	175
Joint #1 Motion range (°)	±225
Joint #2 Motion range (°)	±225



Speed and flexibility for machine tending operation in confined workspaces

- High speed and repeatability for maximum productivity
- Compact design for enhanced configuration flexibility
- C4-A901 long arm model also available

Model Number C4 - A 6 0 1 S □ - UL

Payload
 □ 4 : 4kg

Arm length
 □ 6 : 600mm
 □ 9 : 900mm

Brake equipment
 □ 1 : Brakes on all joints

Environment
 □ S : Standard model
 □ C : Cleanroom & ESD (electrostatic discharge) model

UL specification
 □ : Non UL compliant
 □ -UL : UL compliant

Mounting type
 □ : Table Top Mounting

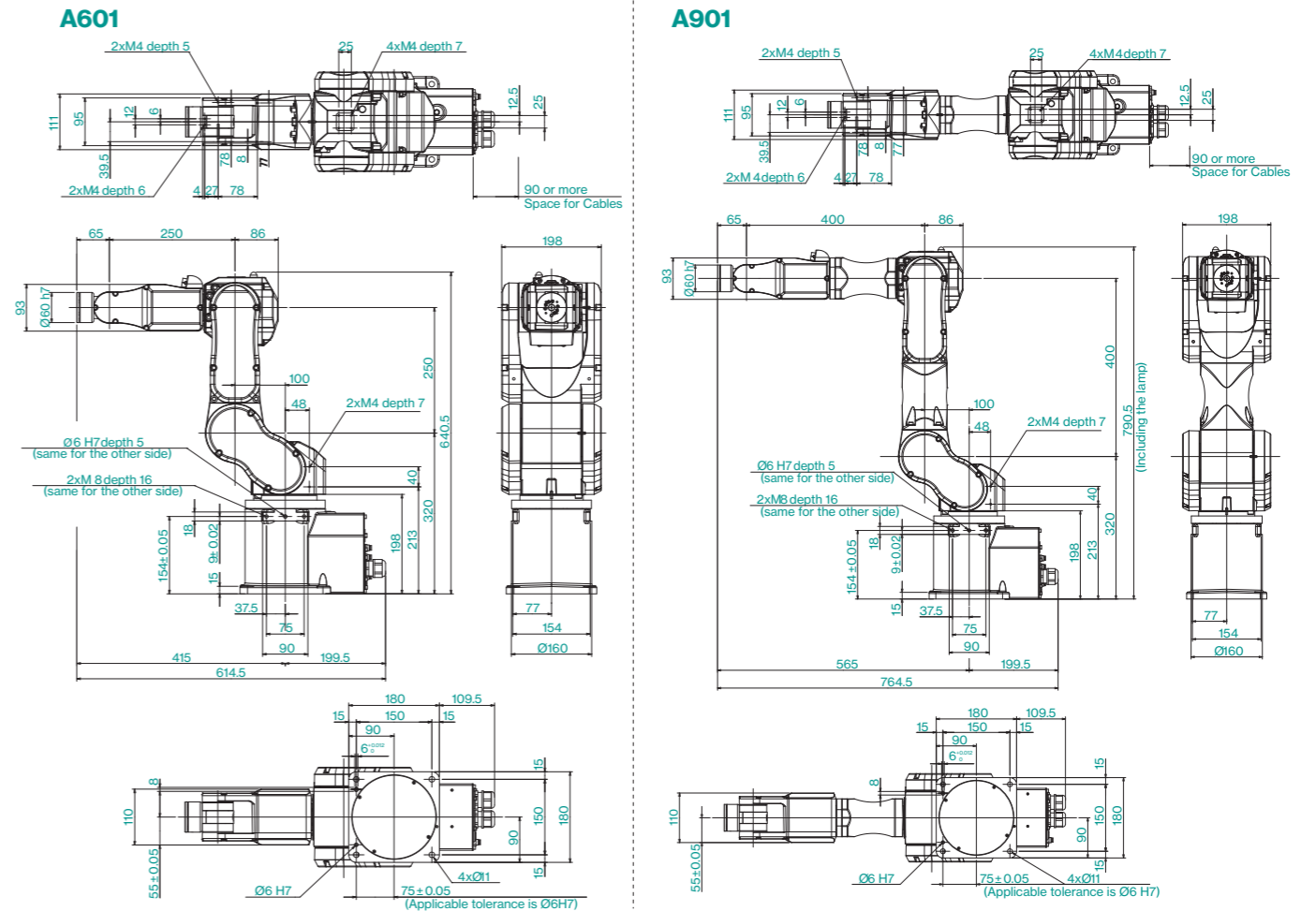
Specifications

Model name		C4	C4L
Model number		C4-A601□	C4-A901□
Max. motion range	P point through the center of J4/J5/J6	600 mm	900 mm
	Wrist flange surface	665 mm	965 mm
Payload	Rated	1 kg	
	Maximum	4 kg (5 kg with arm downward positioning)	
Repeatability	Joints #1-#6	±0.02 mm	±0.03 mm
Standard cycle time*1		0.37 sec	0.47 sec
Max. operating speed	Joint #1	450 deg/sec	275 deg/sec
	Joint #2	450 deg/sec	275 deg/sec
	Joint #3	514 deg/sec	289 deg/sec
	Joint #4	555 deg/sec	289 deg/sec
	Joint #5	555 deg/sec	289 deg/sec
	Joint #6	720 deg/sec	289 deg/sec
Allowable moment of inertia**	Joint #4	0.15 kg·m ²	0.15 kg·m ²
	Joint #5	0.15 kg·m ²	0.15 kg·m ²
	Joint #6	0.1 kg·m ²	0.1 kg·m ²
Installation environment		Standard/Cleanroom**3 & ESD	
Mounting type		Table Top/Ceiling**4	
Weight (cable not included)		27 kg	29 kg
Applicable Controller		RC700-A	
Installed wire for customer use		9 Pin D-Sub	
Installed pneumatic tube for customer		Ø4mm x 4 : 0.59 MPa (6 kgf/cm ²)	
Power		AC200-240 V Single phase	
Power Consumption**5		1.7 kVA	
Cable length		3 m/5 m/10 m/15 m/20 m	
Safety standard		CE, KC, UL	

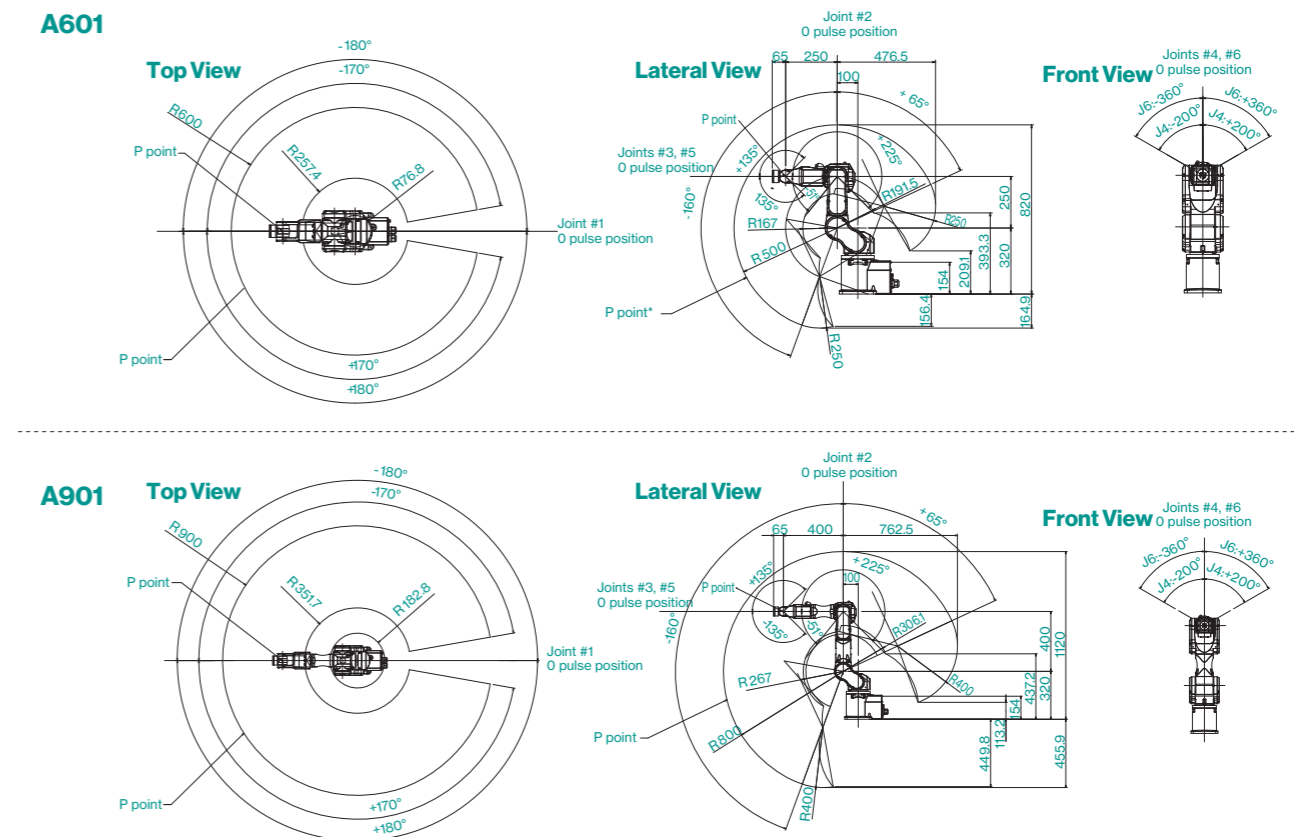
*1: Cycle time based on round-trip arch motion (300mm horizontal, 25 mm vertical) with 1kg payload (path coordinates optimized for maximum speed). *2: When payload center of gravity is aligned with Joint #4; if not aligned with Joint #4, set parameters using INERTIA command. *3: Complies with ISO Class 3 (ISO14644-1) and older Class 1 (less than 10.0.1 m particles per 28,317cm³:1cf) cleanroom standards. *4: Manipulators are set to "Table Top mounting" at shipment. To use the Manipulators as "Ceiling mounting", you need to change the model settings. For details on how to change the model settings, refer to "C4 Manipulator 5.5 Changing the Robot", and "EPSON RC+ User's Guide Robot Configuration". *5: Varies according to operating environment and program.

Outer Dimensions

[Unit: mm]



Motion Range





Space saving, slim but highly payload

- Lightweight slim arm of 1400mm suitable for machine tending and transfer between processes
- The payload capacity has been increased to 12kg and can be used for a wide range of applications

Model number C12 - A1401

Payload	<input type="checkbox"/> 12 : 12kg	Mounting type	<input type="checkbox"/> Table Top
Arm length	<input type="checkbox"/> 14 : 1400mm	M/C cable installation direction	<input type="checkbox"/> Cable backward <input type="checkbox"/> Cable downward
Blake equipment	<input type="checkbox"/> 1 : Brakes on all joints	Environment	<input type="checkbox"/> S : Standard model <input type="checkbox"/> C : Cleanroom model

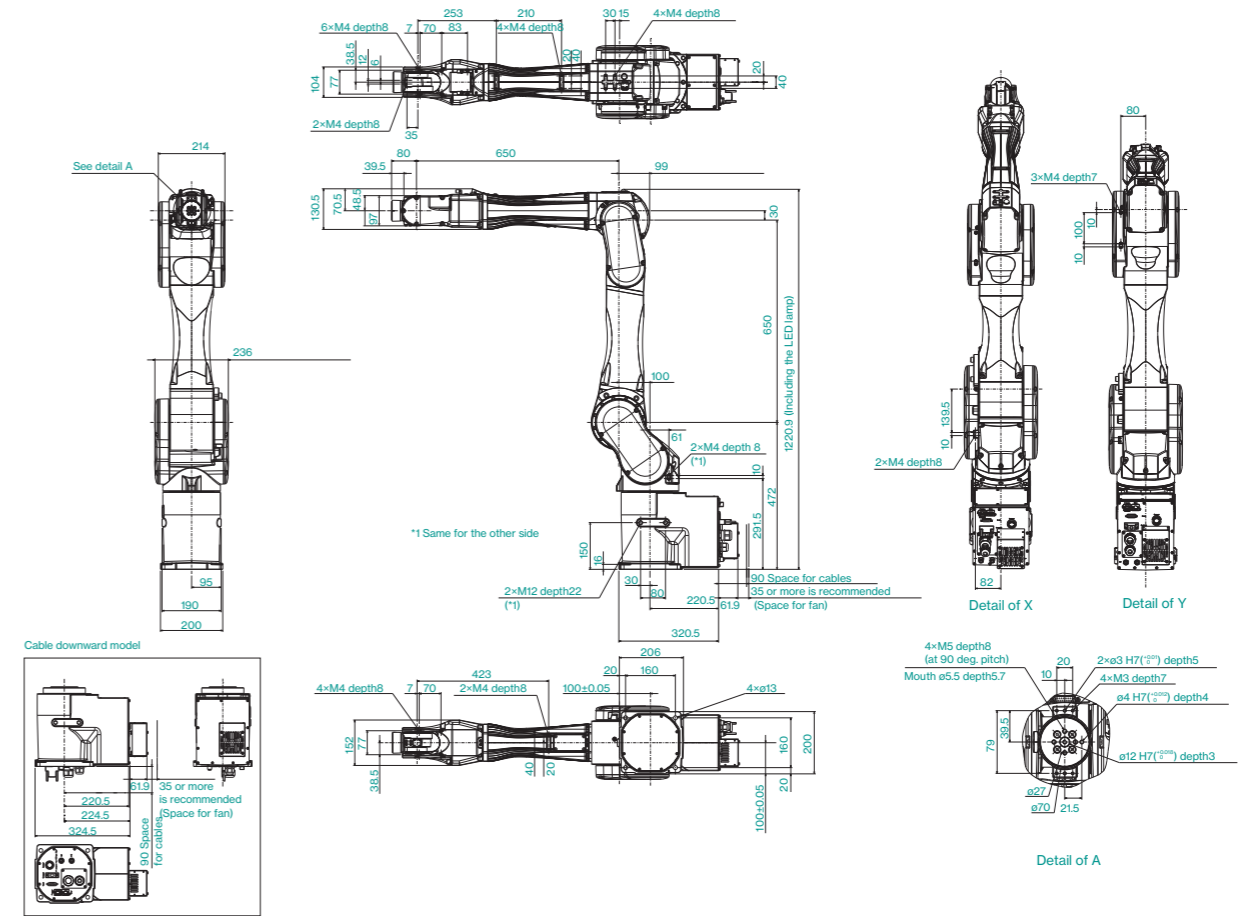
Specifications

Model name		C12XL
Model number		C12-A1401
Arm length	Point P: J1-J5 center	1400 mm
	J1-J6 Flange surface	1480 mm
Payload	Rated	3 kg
	Max.	12 kg
Repeatability	Joint#1-6	± 0.05 mm
Standard cycle time *1		0.50 sec
Max. operation speed	Joint#1	200 deg/sec
	Joint#2	167 deg/sec
	Joint#3	200 deg/sec
	Joint#4	300 deg/sec
	Joint#5	360 deg/sec
	Joint#6	720 deg/sec
Allowable moment of inertia *2	Joint#4	0.70 kg-m ²
	Joint#5	0.70 kg-m ²
	Joint#6	0.20 kg-m ²
Installation Environment	Standard / Clean & ESD*3	
Mounting type	Table Top*4	
Weight (cables not included)	63 kg	
Applicable Controller	RC700-A	
Installed wire for customer use	15 pin D-Sub, 8 pin(RJ45)CAT 5e	
Installed pneumatic tube for customer use	ø6 mm x 2 Pressure resistance: 0.59 MPa (6 kgf / cm ²) (86psi)AC200-240 V	
Power *5	2.5 kVA	
Power Consumption	3 / 5 / 10 / 15 / 20 m	
Cable length	CE, KC	
Safety standard		

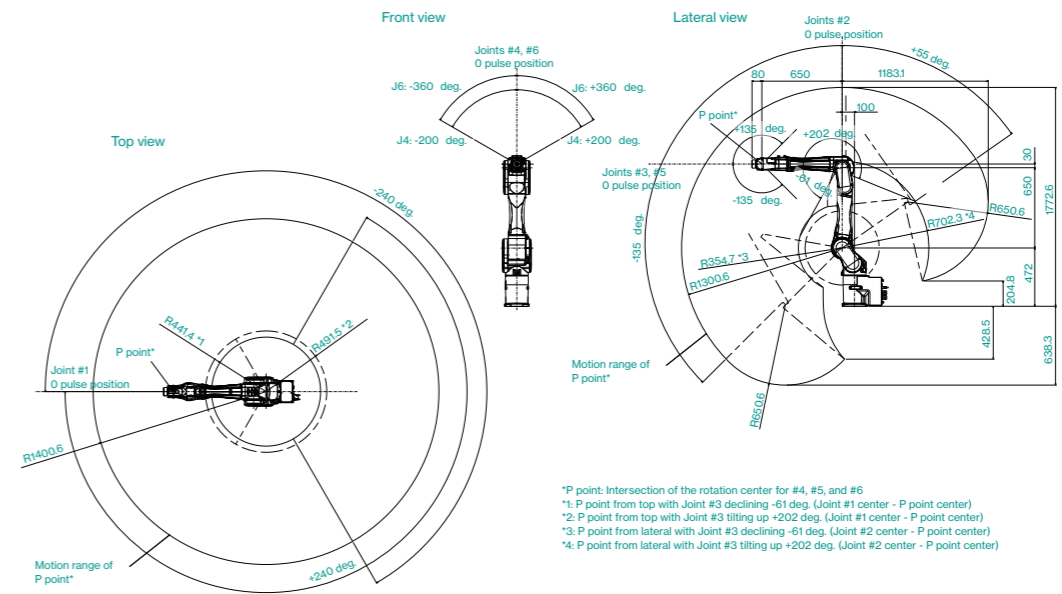
*1: Cycle time based on round-trip arch motion (300mm horizontal, 25mm vertical) with Accel 120% and 1 kg payload (path coordinates optimized for maximum speed). *2: If the center of gravity is at the center of each arm, set the eccentric quantity using INERTIA command. *3: Clean level: ISO class 4 (ISO14644-1) *4: Mounting type other than table top are out of specification. If you wish, please contact the distributor. *5: It depends on operating environment and operation program.

Outer Dimensions

[Unit: mm]



Motion Range

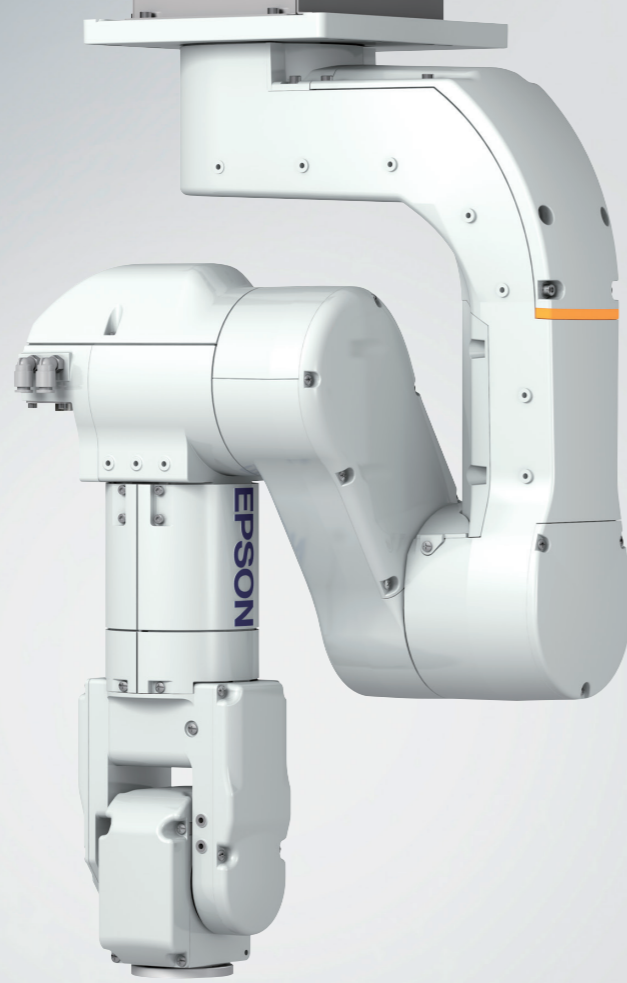


*P point: Intersection of the rotation center for #4, #5, and #6
 *1: P point from top with Joint #3 declining -61 deg. (Joint #1 center - P point center)
 *2: P point from top with Joint #3 tilting up +202 deg. (Joint #1 center - P point center)
 *3: P point from lateral with Joint #3 declining -61 deg. (Joint #2 center - P point center)
 *4: P point from lateral with Joint #3 tilting up +202 deg. (Joint #2 center - P point center)

Unique folding arm design provides the motion flexibility of a 6-axis robot in the space-saving compact size

- Slim folding arm design
- Requires only 600mm x 600mm installation space — 40% less than a C4 robot*
- Arm rotation enables shortcut access to workpiece from any direction

*C4: ø660 mm → N2: ø460 mm (Epson data as of October 2018)



Model Number	N2 - A 45 0 S R			
Payload	2	: 2.5kg	Mounting type	R
Arm length	45	: 450mm	Environment	S
Brake equipment	0	: Brakes on the Joints #2 to #6		

Specifications

Model name		N2
Model number		N2-A450SR
Max. motion range	P point: through the center of J4/J5/J6	450mm
	Wrist flange surface	532.2mm
Payload**	Rated	1.0kg
	Maximum	2.5kg
Repeatability		±0.02mm
Max. motion range	J1	297 deg/sec
	J2	297 deg/sec
	J3	356 deg/sec
	J4	356 deg/sec
	J5	360 deg/sec
	J6	360 deg/sec
Allowable moment of inertia**	Joint #1-#6	0.2kg·m ²
	Joint #4	0.2kg·m ²
	Joint #5	0.08kg·m ²
Installation environment	Joint #6	Standard
Mounting type		Ceiling / Table top **
Weight (cable not included)		19kg
Applicable Controller		RC-700A
Installed wire for customer use		15 pin (D-sub) 8 pin (RJ45) Cat 5e or equivalent (2 cables) (also used for Force Sensor)
Installed pneumatic tube for customer		Ø6 mm x 2: 0.59 MPa (6 kgf/cm ²)
Power		AC200-240 V Single phase
Power Consumption**		0.6 kVA
Cable length		3 m/ 5 m/ 10 m/ 15 m/ 20 m
Safety standard		CE, KC

*1: Do not apply the load exceeding the maximum payload.

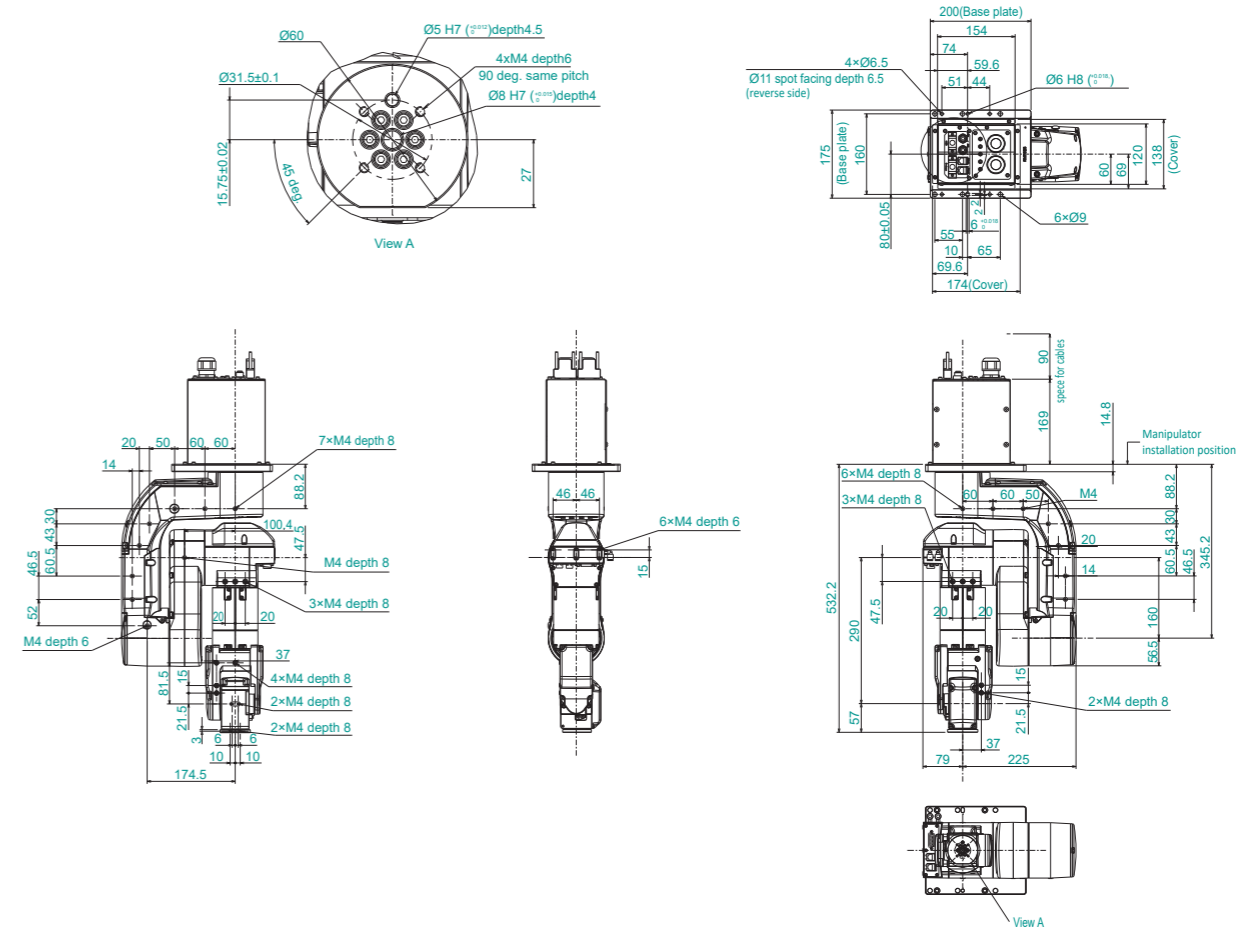
*2: If the center of gravity is at the center of each arm. If the center of gravity is not at the center of each arm, set the eccentric quantity using INERTIA command.

*3: Robots are set up for ceiling-mount use at shipment. For tabletop use, robots should be programmed using the EPSON RC+ software tabletop-mount settings.

*4: Varies according to operating environment and program.

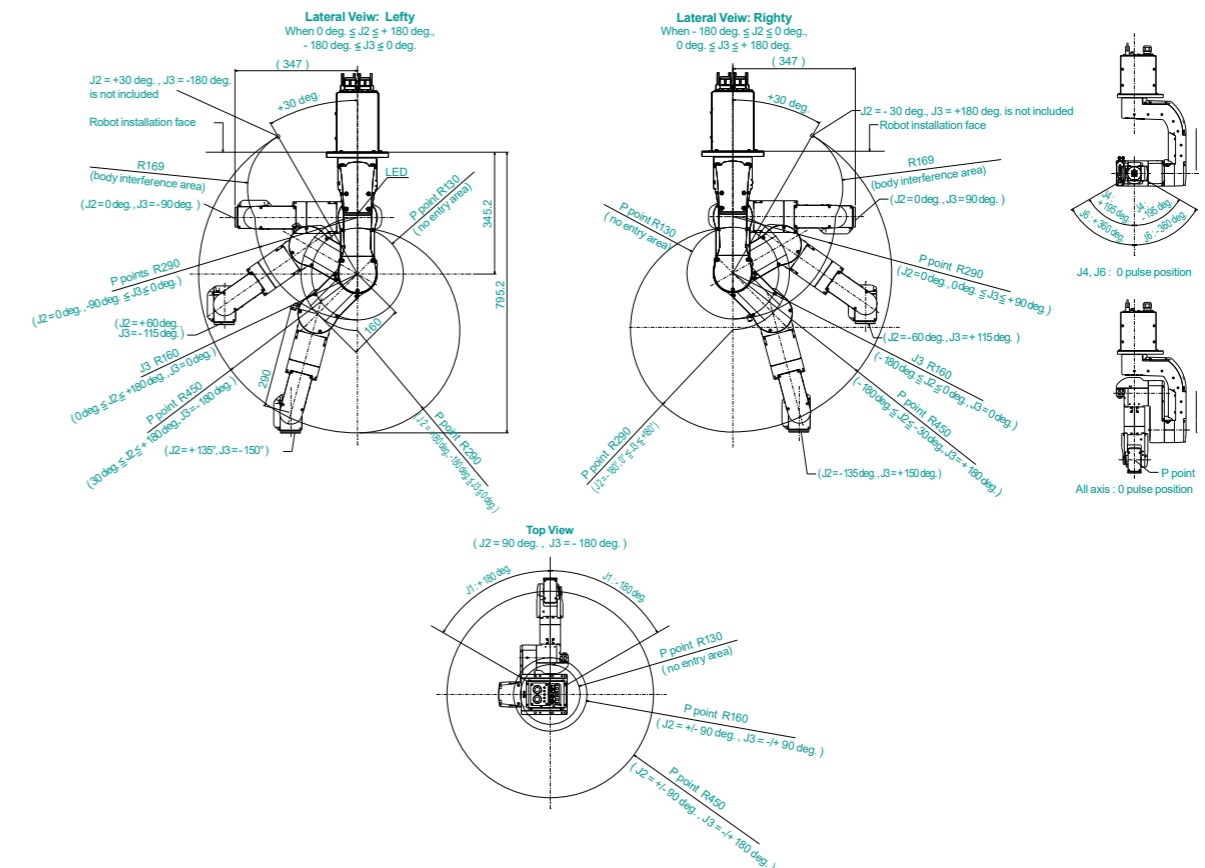
Outer Dimensions

[Unit: mm]



Motion Range

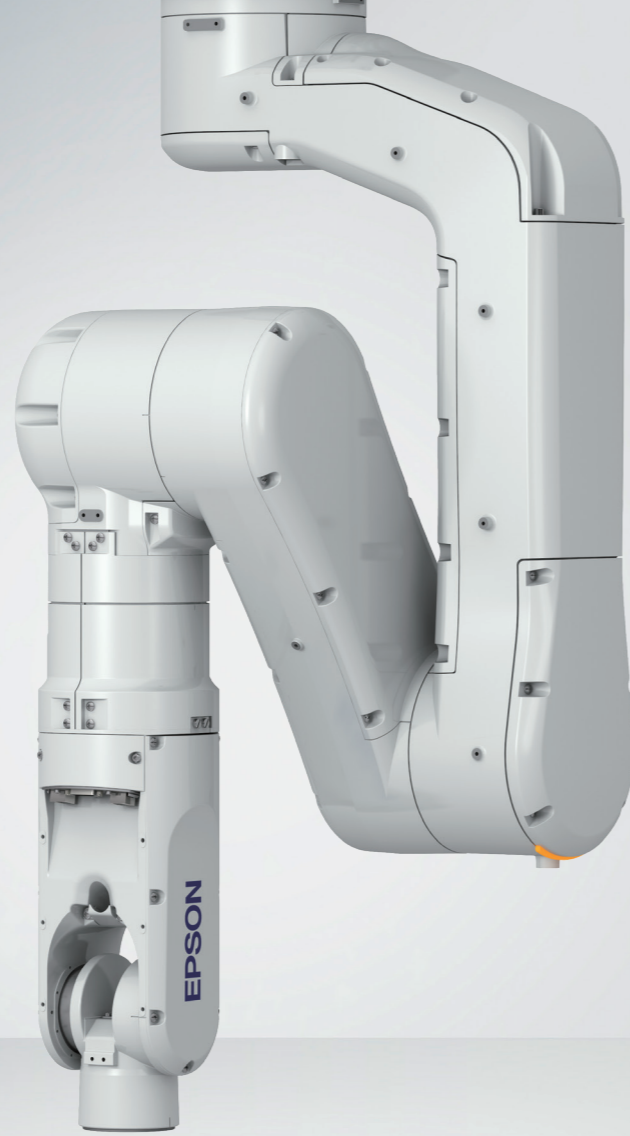
[Unit: mm]



N6-A850

Ceiling mounted 6-axis robot with unique folding arm design

- 6-axis flexibility and SCARA-like arch motion enables shortcut access to work-piece from any direction in limited space
- 6kg payload ideal for automotive component handling
- Hollow arm construction for easy cabling setup and teaching



Model Number	N6 - A 85 0 □ □ R
Payload	6 : 6kg
Arm length	85 : 860mm
Brake equipment	0 : Brakes on the Joints #2 to #6
Mounting type	□ : Table Top Mounting
Cable exit direction	□ : Standard (side) B : Upward
Environment	S : Standard C : Cleanroom & ESD (Anti-static)

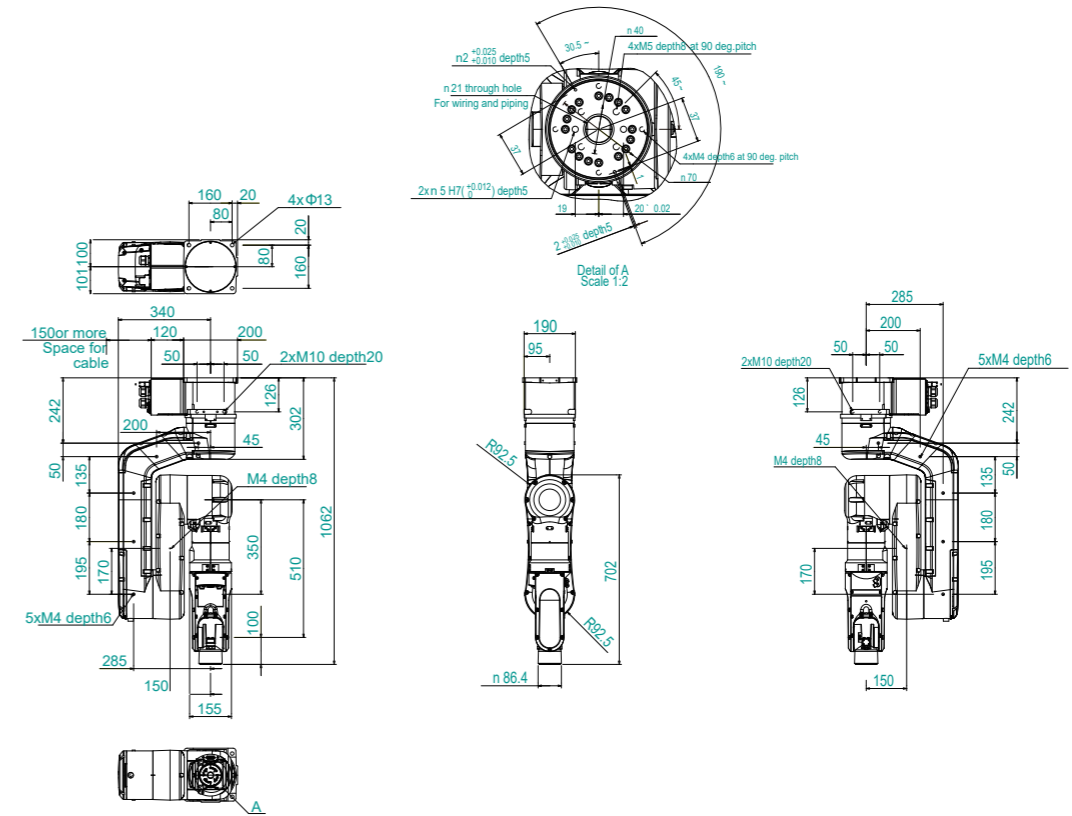
Specifications

Model name		N6
Model number		N6-A850□□R
Max. motion range	P point through the center of J4/J5/J6	860 mm
	Wrist flange surface	960 mm
Payload**	Rated	3.0 kg
	Maximum	6.0 kg
Repeatability	Joints #1-#6	±0.03 mm
Max. motion range	J1	326 deg/sec
	J2	326 deg/sec
	J3	444 deg/sec
	J4	444 deg/sec
	J5	450 deg/sec
	J6	537 deg/sec
Allowable moment of inertia**	Joint #4	0.42 kg·m ²
	Joint #5	0.42 kg·m ²
	Joint #6	0.14 kg·m ²
Installation environment		Standard, Cleanroom & ESD**
Mounting type		Ceiling
Weight (cable not included)		64 kg
Applicable Controller		RC700-A
Installed wire for customer use		D-sub 15 pin, RJ45 8 pin x2 (Cat 5e, for Vision and Force sensor)
Installed pneumatic tube for customer		φ6 mm x 2: 0.59 MPa (6 kgf/cm ²)
Power		AC200-240 V Single phase
Power Consumption**		2.2 kVA
Cable length		3 m/5 m/10 m/15 m/20 m
Safety standard		CE, KC

*1 : Do not apply the load exceeding the maximum payload.
 *2 : If the center of gravity is at the center of each arm. If the center of gravity is not at the center of each arm, set the eccentric quantity using INERTIA command.
 *3 : Complies with ISO Class 5 (ISO14644-1) and older Class 1 cleanroom standards.
 *4 : Varies according to operating environment and program.

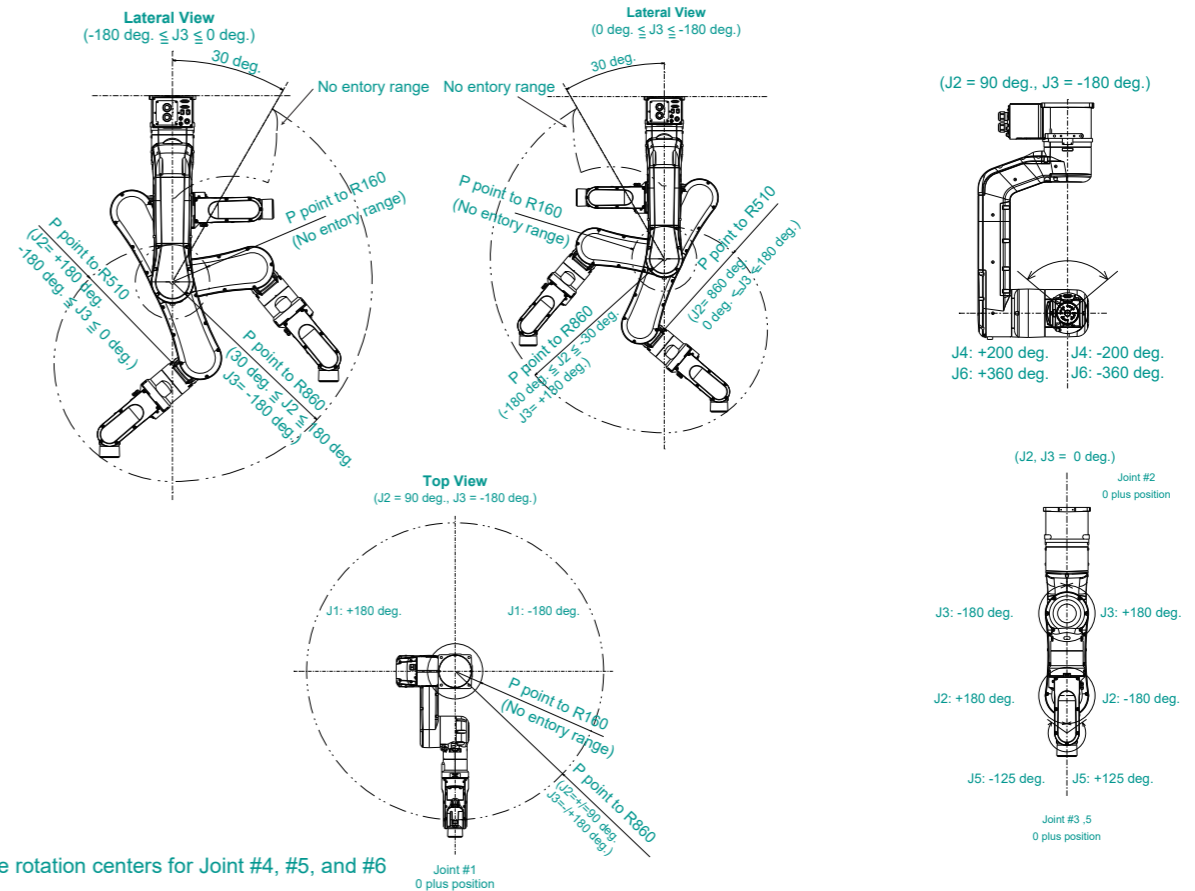
Outer Dimensions

[Unit:mm]



Motion Range

[Unit:mm]



P point : Intersection of the rotation centers for Joint #4, #5, and #6

N6-A1000



Original folding arm mechanism reduces 6-axis robot installation space requirements

- High space utilization efficiency
- Extended reach for tall workpieces and high shelving
- Folding arm design enables installation in limited space
- Hollow arm construction for easy cabling setup

Model Number N6 - A 100 0 □ □ □

Payload
 □ 6 : 6kg

Arm length
 □ 100 : 1010mm

Brake equipment
 □ 0 : Brakes on the Joints #2 to #6

Mounting type
 □ : Table Top Mounting
 R : Ceiling Mounting

Cable exit direction
 □ : Standard (side)
 B : Upward/downward

Environment
 S : Standard
 C : Cleanroom & ESD (Anti-static)

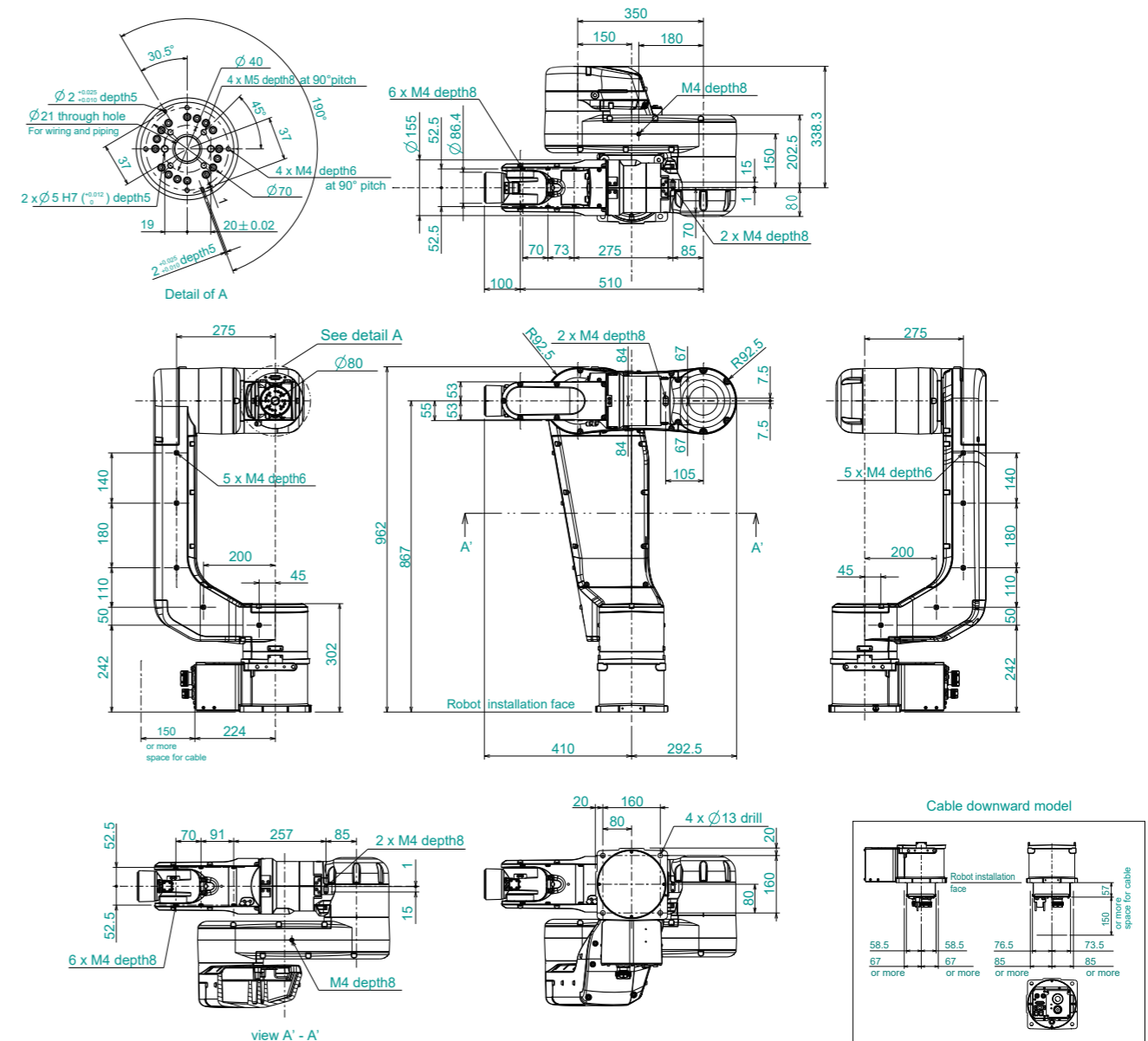
Specifications

Model name		N6
Model number		N6-A1000□□□
Max. motion range	P point through the center of J4/J5/J6	1010 mm
	Wrist flange surface	1110 mm
Payload**	Rated	3.0kg
	Maximum	6.0kg
Repeatability	Joints #1-#6	±0.04mm
Max. motion range	J1	326 deg/sec
	J2	326 deg/sec
	J3	444 deg/sec
	J4	444 deg/sec
	J5	450 deg/sec
	J6	537 deg/sec
Allowable moment of inertia**	Joint #4	0.42kg·m ²
	Joint #5	0.42kg·m ²
	Joint #6	0.14kg·m ²
Installation environment	Standard, Cleanroom** & ESD	
Mounting type	Table top / Ceiling**	
Weight (cable not included)	69 kg	
Applicable Controller	RC-700A	
Installed wire for customer use	D-sub 15 pin, RJ45 8 pin x 2 (Cat 5e, for Vision and Force sensor)	
Installed pneumatic tube for customer	Ø6 mm x 2 : 0.59 MPa (6 kgf/cm ²)	
Power	AC200-240 V Single phase	
Power Consumption**	2.2 kVA	
cable length	3 m/5 m/10 m/15 m/20 m	
Safety standard	CE, KC	

*1 : Do not apply the load exceeding the maximum payload. *2 : If the center of gravity is at the center of each arm. If the center of gravity is not at the center of each arm, set the eccentric quantity using INERTIA command.
 *3 : Complies with ISO Class 5 (ISO14644-1) and older Class 1 cleanroom standards. *4 : Ceiling-mounted robots should be programmed using the EPSON RC+ software ceiling-mount settings. *5 : Varies according to operating environment and program.

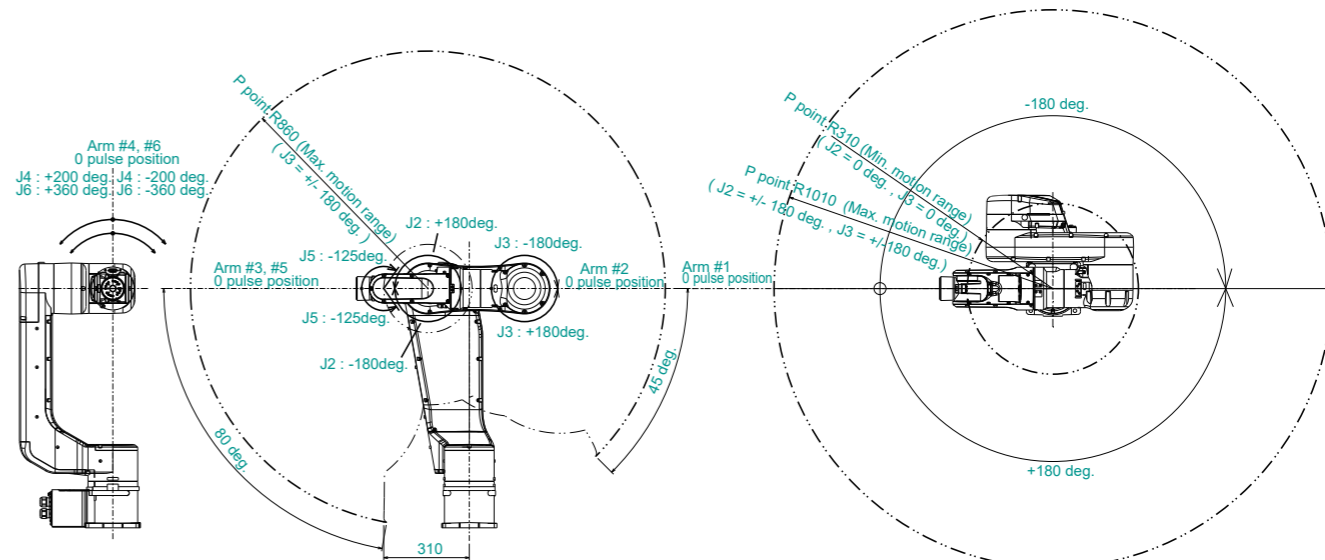
Outer Dimensions

[Unit: mm]



Motion Range

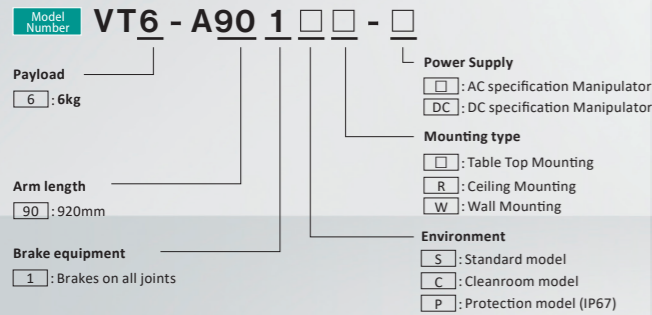
[Unit: mm]



VT6L

Simple setup and high cost-performance for easy and affordable automation

- Space-saving design with built-in controller
- 6-axis versatility without complicated setup
- 100V-240V power source compatibility
- Hollow wrist construction for internal cabling
- Batteryless motor unit for reduced maintenance



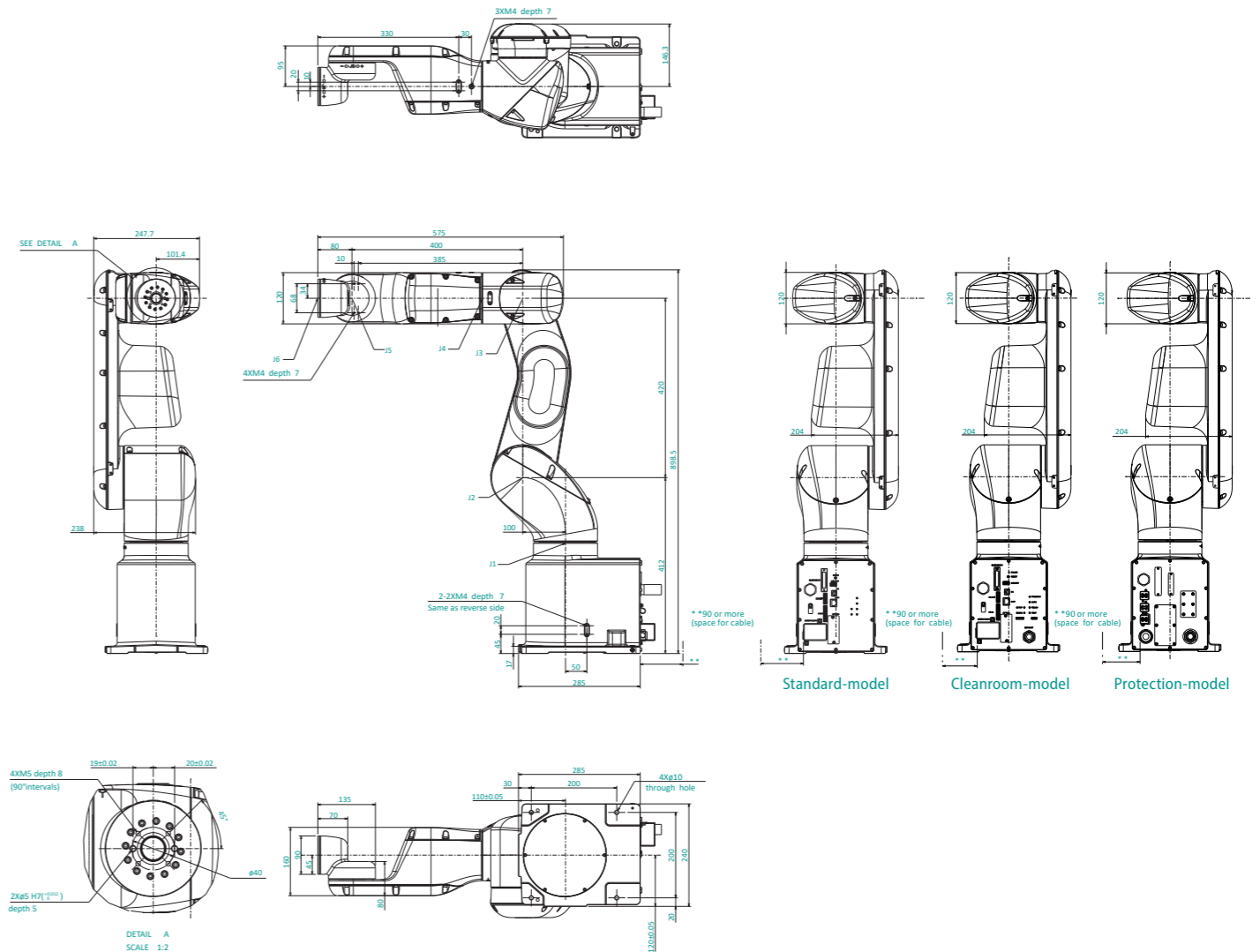
Specifications

Model name		VT6L
Model number		VT6-A901□□-□
Payload (Load)**	Rated	3 kg
	Max.	6 kg
Max. reach	P point: Joint#1-5 center	920 mm
	Joint#1-5 flange surface	1000 mm
Repeatability	Joint#1-6	± 0.1 mm
Max. motion range**	J1	166.2 deg/sec
	J2	122.5 deg/sec
	J3	141.2 deg/sec
	J4	Standard, Cleanroom 268.7 deg / sec, Protection, DC 188.1 deg/sec
	J5	296.8 deg/sec
	J6	Standard, Cleanroom 293.2 deg/sec, Protection, DC 234.5 deg/sec
Allowable moment of inertia**	Joint#4	0.3 kg·m ²
	Joint#5	0.3 kg·m ²
	Joint#6	0.1 kg·m ²
Mounting type**	Table top / Ceiling / Wall mounting	
Environment spec	Standard, Cleanroom** / Protection-model (IP67)	
Weight (cables not included)	40 kg	
Applicable Controller	Built-in controller	
Installed wire for customer use	None (External Wiring Option available)	
Installed pneumatic tube for customer use	None (External Wiring Option available)	
Power	□, AC100-240 V single phase / DC, 43-60V**	
Power Consumption**	1.2 kVA	
Cable length	□, 5 m / DC, 2m	
I/O	Standard I/O	In 24, Out 16 (Non polarity)
	Remote I/O	In 8, Out 8 (Remote function assigned to standard I/O)
Safety standard	CE, KC	

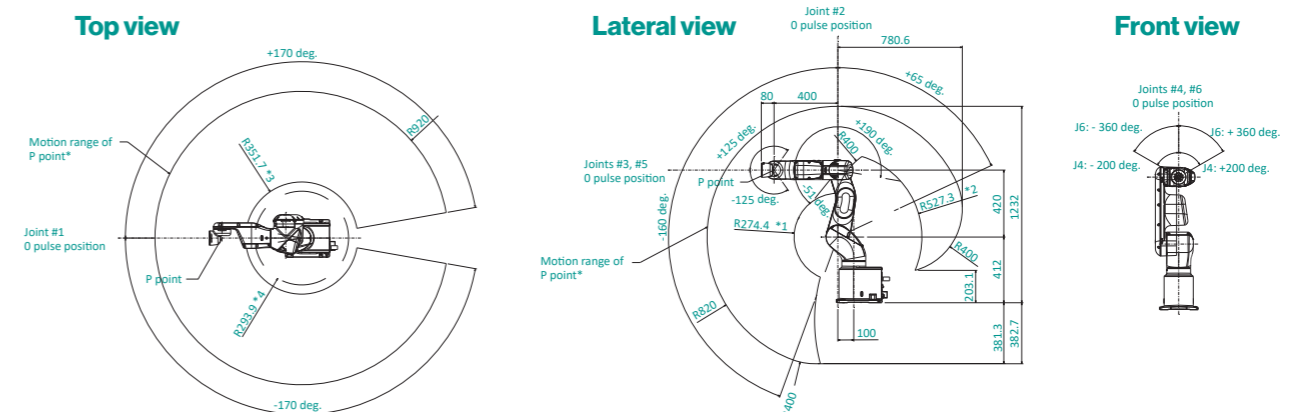
*1 : Do not apply the load exceeding the maximum payload. *2 : In case of PTP control *3 : If the center of gravity is at the center of each arm. If the center of gravity is not at the center of each arm, set the eccentric quantity using INERTIA command. *4 : Manipulators are set to "Table Top mounting" at shipment. To use the manipulators by other installation coordination, need to change the model settings on RC+ software. (Clean room & Protection models require table top mounting) *5 : Complies with ISO Class 5 (ISO14644-1) and older Class 1 cleanroom standards. *6 : When sharing the battery power source with AGV etc., a voltage higher than the stated value may be applied to the robot, depending on the operation of AGV etc. Take measures such as overcurrent protection. *7 : It depends on operating environment and operation program.

Outer Dimensions (Table Top Mounting)

[Unit: mm]



Motion Range (Table Top Mounting)



01 RC700-A

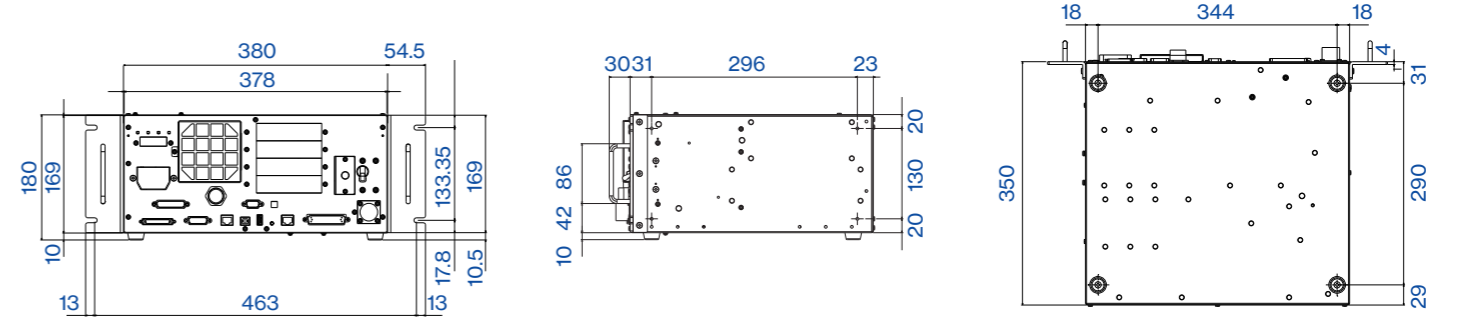
Multi-function Controller

■ USB connectivity; easy setup ■ Drive units can be added for multi-robot control

RC700-A software/Manipulator support			
Software	Epson RC+7.0		
Manipulator	SCARA robots	G series	●
		LS series	—
		RS series	●
		T series	—
6-axis robots	C series	●	
	N series	●	
	VT series	—	



■ Outer Dimensions [Unit: mm]



01 RC90-B

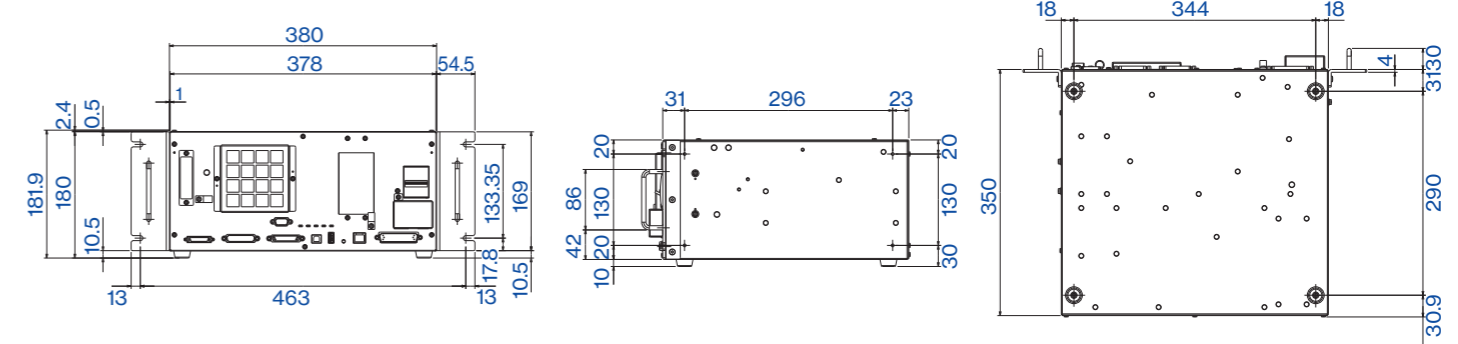
Dedicated LS series Controller

■ USB connectivity; easy setup

RC90-B software/Manipulator support			
Software	Epson RC+7.0		
Manipulator	SCARA robots	G series	—
		LS series	●
		RS series	—
		T series	—
6-axis robots	C series	—	
	N series	—	
	VT series	—	



■ Outer Dimensions [Unit: mm]



01 RC700DU-A

Controller for Multi-Effector Control

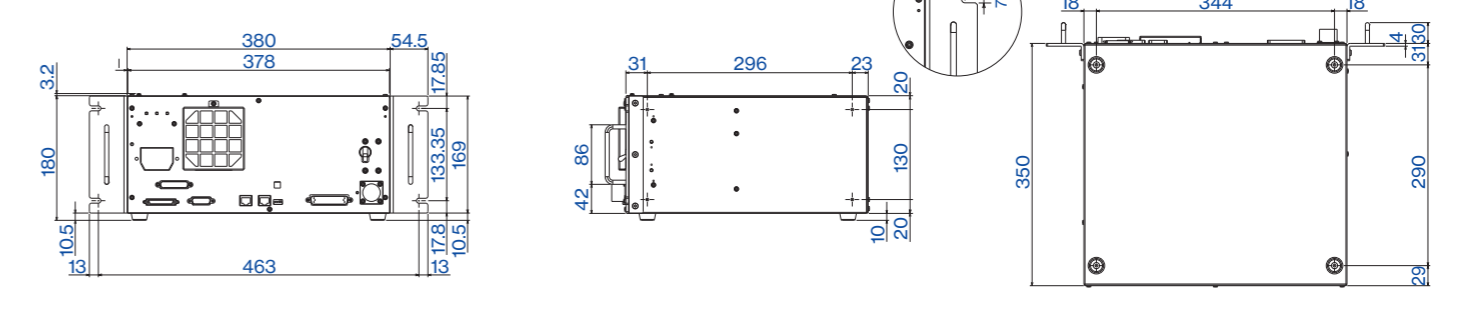
■ Connected to RC700-A controllers for multi-robot control.

RC700DU-A software/Manipulator support			
Software	Epson RC+7.0		
Manipulator	SCARA robots	G series	●
		LS series	—
		RS series	●
		T series	—
6-axis robots	C series	●	
	N series	●	
	VT series	—	

*N2 is not supported



■ Outer Dimensions [Unit: mm]



01 RC700-E

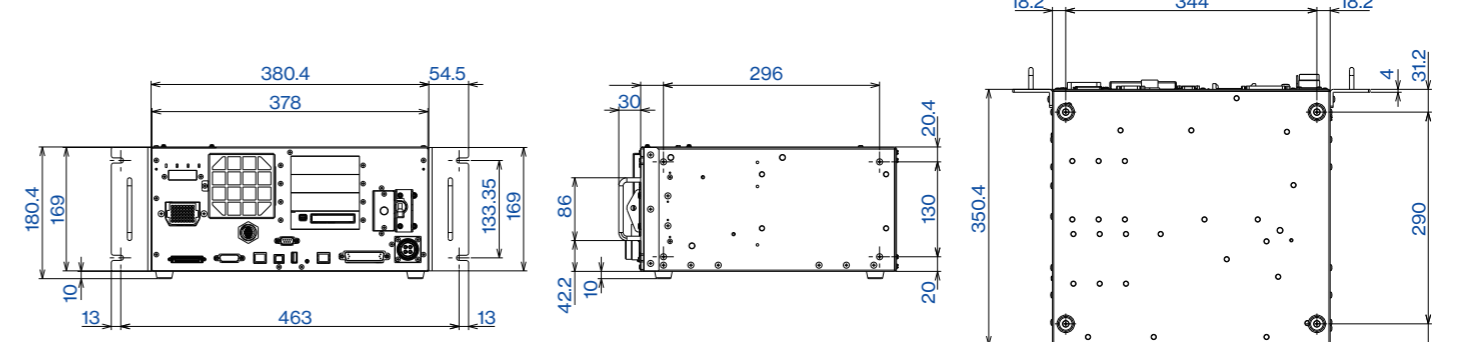
Multi-function Controller with Enhanced Safety

■ Safety board for flexible machine design

RC700-E software/Manipulator support			
Software	Epson RC+7.0		
Manipulator	SCARA robots	GX series	●
		LS series	—
		RS series	—
		T series	—
6-axis robots	C series	—	
	N series	—	
	VT series	—	



■ Outer Dimensions [Unit: mm]





Specifications

	RC700-A	RC90-B	Drive units RC700DU-A	RC700-E
Controllable axes				
	Max. 6 AC servo motors	Max. 4 AC servo motors	Max. 6 AC servo motors	Max. 4 AC servo motors
Robot manipulator control				
Programming language and Robot control software	Epson RC+7.0			
Joint control	Max. 6 axes simultaneous	Max. 4 axes simultaneous	Max. 6 axes simultaneous	Max. 4 axes simultaneous
	Software AC servo control			
Speed control	PTP control: 1-100% / CP control: real speed setting			
	PTP control: 1-100% (auto acceleration) / CP control: real speed setting			
Positioning control				
	PTP (Point-To-Point control) CP (Continuous Path control)			
Storage capacity				
	Max. object size: 4 MB Point data area: 1000 points/file Backup variable area: Max. 100 KB (incl. control table) Approx. 1,000 variables are available. The number varies depending on the size of array variables		—	Max. 100 kB (including management table area) About 1,000 variables can be used However, this varies depending on the size of array variables and other factors
External input/output signals (standard)				
Standard I/O	Input: 24 Output: 16			
Communication interface (standard)				
Ethernet	1 channel		—	1 channel
RS-232C	1 port		—	1 port
Safety function				
	STO / Emergency Stop / Safeguard(SG)/Safety Door(Protective Stop) / Enable / "Speed monitoring in low-speed program verification function(T1 test mode) (250mm/sec or less)"			Soft Axis Limiting Safety Outputs / SLS / SLP * In addition to that of left cell
Protective function				
	Low power mode / Dynamic braking / Overload detection / Torque error detection / Speed error detection / Position deviation overflow detection / CPU error detection / Speed deviation overflow detection / Overheat detection / Memory error detection / Fan error detection / Relay melting detection / Overvoltage detection / AC power voltage detection / Temperature error detection			
Power source				
	AC200-240 V Single phase 50/60 Hz			
Weight (max.)*1				
	11 kg	7.5 kg or 10 kg (depending on effector in use)	9 kg	12 kg
Mounting method				
	Flat, Vertical, Rack, Wall (option)	Flat, Vertical, Rack	Flat, Vertical, Rack, Wall (option)	Flat, Vertical, Rack

*1: The Controller body is labeled with the weight. When transporting or relocating the Controller, check the weight and be careful not to hurt your back when lifting it. Also, be careful not to pinch or injure your hands, feet, or other body part due to dropping it.

Taking Robot Performance to the Next Level

Innovations in robotic automation have allowed manufacturers in countless industries to achieve higher throughput, improved quality, and safer working environments. But choosing a robot for an automation task often involves balancing tradeoffs between three key performance criteria: speed, payload, and precision.

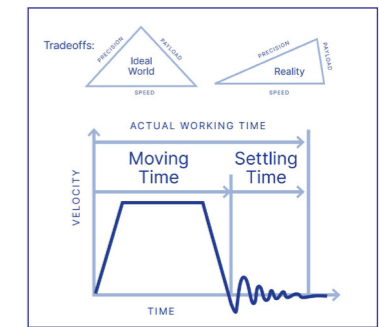
The underlying cause of these performance tradeoffs is vibration of the robot arm. Manufacturing processes increasingly demand shorter cycle times for improved throughput, which in turn, requires higher speed and acceleration rates from the robot.

But as speed and acceleration increase, so does vibration in the robot arm.

As a result, the ratio of settling time to the overall cycle time increases, reducing throughput and precision. And the common workarounds to these problems, such as increasing the rigidity of the robot arm, result in different performance tradeoffs.

Innovations in robotic automation have allowed manufacturers in countless industries to achieve higher throughput, improved quality, and safer working environments. But choosing a robot for an automation task often involves balancing tradeoffs between three key performance criteria: speed, payload, and precision. The underlying cause of these performance tradeoffs is vibration of the robot arm. Manufacturing processes increasingly demand shorter cycle times for improved throughput, which in turn, requires higher speed and acceleration rates from the robot.

But as speed and acceleration increase, so does vibration in the robot arm. As a result, the ratio of settling time to the overall cycle time increases, reducing throughput and precision. And the common workarounds to these problems, such as increasing the rigidity of the robot arm, result in different performance tradeoffs.



Competing Performance Criteria	Improving This Specification	Worsens This Specification	Impact On Performance
Speed vs. Precision	Speed	Vibration	Settling Time is Increased
Cycle Time vs. Vibration Damping	Cycle Time	Settling Time	Tact Time is Increased
Vibration Damping vs. Cost	Arm Rigidity	Robot Size and Weight	Robot Cost is Increased
Vibration Damping vs. Cost	Arm Rigidity	Robot Size and Weight	Energy Consumption is Increased
Vibration Damping vs. Ease of Install	Arm Rigidity	Robot Size and Weight	Robot Footprint is Increased

For decades, these performance tradeoffs have been accepted as an inevitable part of robot selection and operation — the laws of physics haven't changed. But thanks to GYROPLUS Technology from Epson, the compromises between a robot's speed, payload, and precision are finally being addressed.

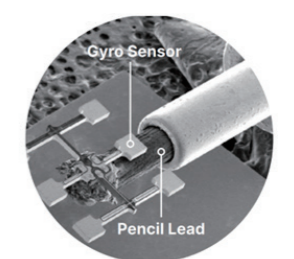
Epson's GYROPLUS Technology was born out of the company's experience as a leading manufacturer of high-quality quartz crystal materials.

We've applied this quartz crystal technology - along with proprietary MEMS (microelectromechanical systems) processing technology - to sensing devices, producing an extremely compact, high-performance, quartz-based gyro sensor.

The gyro sensor is configured as a "double-T" type crystal oscillator, which provides a very high signal-to-noise ratio, excellent resistance to vibration and shock, and high-temperature stability.

Traditional robot controls use angular velocity feedback located on the robot's motor. But the true angular velocity at the end of the robot arm often differs from the motor's angular velocity, due to mechanical tolerances, friction, and the influence of the attached load and peripherals such as end effectors and wiring.

Now, with Epson's GYROPLUS Technology mounted at the end of the robot arm, the robot controller receives information about the behavior directly at the end of the arm, so it can deliver motion commands to address the exact movement and position of the arm, rather than an estimate based on the motor's angle and velocity. This means more precise control of positioning, along with significant vibration reduction.



Mitigating Tradeoffs in Robot Performance – GYROPLUS Technology –

Epson RC+ software makes it easy to develop control programs for setup, operation, and regular maintenance. With an easy-to-understand graphic user interface, it helps you achieve maximum productivity with minimum programming overhead.

Epson RC+

For all-in-one management of program development, teaching, machine vision, force-sensing, simulation, and the graphic user interface.

Epson RC+ 7.0 functions

Robot programming functions

- SPEL+ language
- Approach check area / Approach check plane
- Pallet handling
- Payload and effector eccentricity
- High-speed, high-precision 3D path accuracy
- Multitasking
- Positioning completion timing
- Arch motion
- Parallel processing
- Singularity point avoidance
- Remote control expansion I/O
- Operating speed and acceleration settings

Simple teaching functions

- Jog & teach / Tool settings
- Local coordinate settings

Maintenance and management functions

- Consumables management
- Controller settings backup

Simulator functions

- Layout review / interference checking
- Programming/debugging functions, etc.

Options

Software options

- RC+ API 7.0
- GUI Builder
- ECP
- VRT

Force-sensing systems / GUI

- Force Guide

Image processing systems / GUI

- Vision Guide
- Catch-On-Fly
- OCR

SPEL+ language

Easy-to-learn SPEL+ programming is similar to BASIC, and provides full support for multitasking, motion control, I/O control, and a wide range of other functions.

Example program

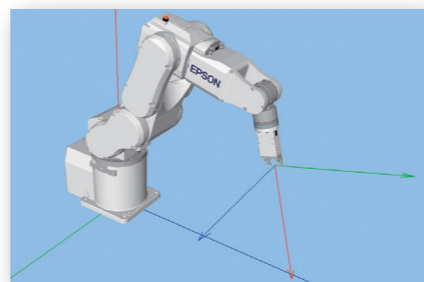
```

Function main
  Motor On          Example program
  Power High        Set power mode to High
  Speed 100         Set speed to 100%
  Accel 100, 100    Set acceleration speed to 100%

  If Sw(0) = On Then Is I/O input bit 0 On?
    Jump P0          Move robot arm to Point 0
  Else
    Jump P1          Move robot arm to Point 1
  EndIf
End
    
```

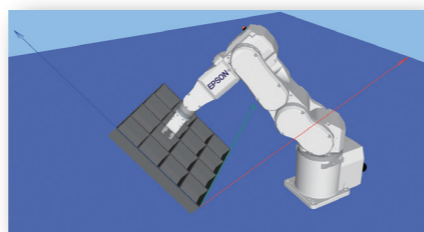
Tool settings

The offset from the rotational axis to the effector tip can be preset to move the toolhead to a specified point without complex programming.



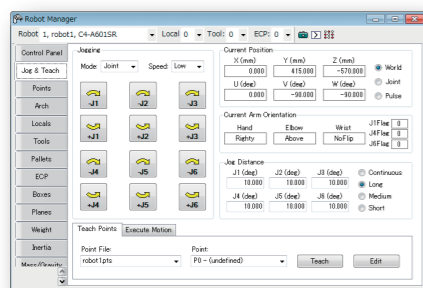
Local coordinate settings

A local coordinate system can be defined relative to the base coordinate system, enabling you to define workspaces based on angled coordinate systems or CAD point data.



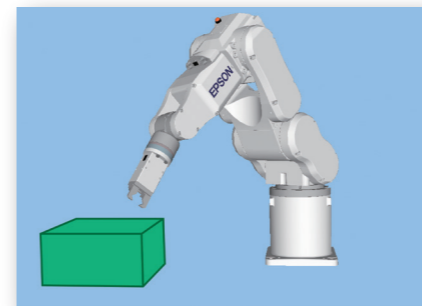
Jog & teach

All teaching commands are accessible from a single window for efficient programming.



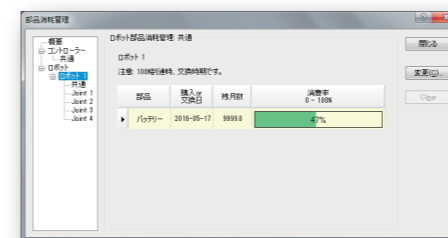
Approach check area / Approach check plane settings

Enables you to check effector approach within an arbitrarily defined area or plane to prevent interference with other robots or peripheral equipment, and to restore effector position after an error occurs.



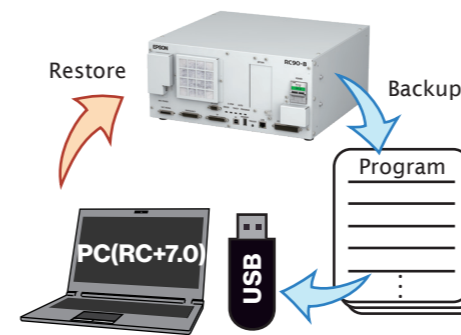
Consumables management

Enables you to set recommended maintenance alarms based on operating time or distance for batteries, grease, timing belts motors, brakes, and ball screw splines.



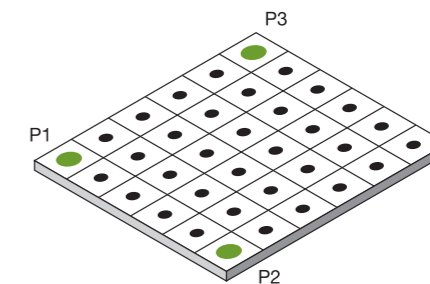
Controller settings backup

Controller settings and programs can be backed up to a PC or USB memory to facilitate offline analysis and enable quick restoration when needed.



Easy alignment with palletized parts

If parts are arranged in a square layout, spaced at regular intervals, the PALLET command can be used to quickly and precisely position the end effector.



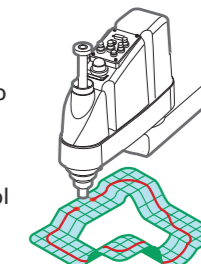
Simply set points P1, P2, and P3 — all other points are set automatically.

High repeatability with varying payloads and effector orientation

Once the operator has set workpiece and effector weight, weight range, and effector orientation, acceleration is automatically adjusted to reduce residual vibration and ensure high repeatability.

High-speed, high-precision, 3D continuous path control

All Epson robot systems offer the fast, precise, three-dimensional continuous path (CP) control needed for high-productivity coating and sealant application processes. Advanced linear interpolation, arch interpolation, and free curve motion enable precise effector control, and simple PASS commands can be used to evade obstacles within the workcell space. Programmed paths can reference either a tool-centered control point or an external control point.



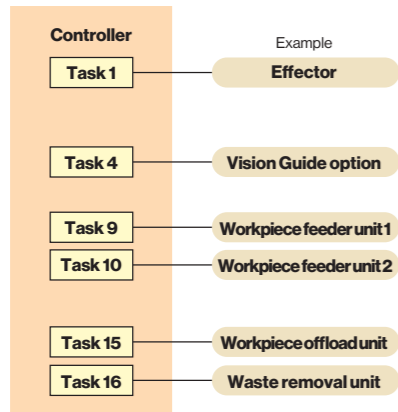
Continuous path (CP) control

Positioning completion time control for maximum efficiency

A time limit can be set for the completion of effector positioning to enable the next instruction to be executed even if the target point has not been reached. This allows you to maximize your yield by prioritizing takt (cycle) time over precision, or vice versa, according to the nature of the work to be done.

Multitasking function

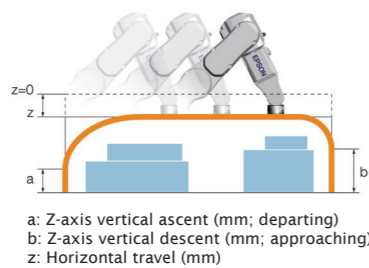
With Epson's programming language, even complex multitask processes can be automated with ease. Up to 32 individual tasks can be seamlessly executed and controlled by a single program. Vision Guide machine vision, and pulse generator control of peripheral equipment can all be utilized to achieve full process automation.



3D jump with variable arch for ultra-precise short-distance movement

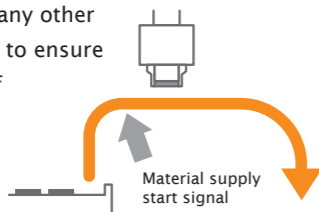
EPSON SCARA and ProSix robots all support JUMP command movements in three-dimensional space, and the arch described by the approaching and departing effector can be set to suit the work environment.

Deceleration/acceleration of the approaching or departing head can be regulated without interrupting operation, ensuring smooth, precise, short-distance motion that helps improve takt time and product quality stability.



Parallel processing for higher speed and efficiency

Parallel processing enables you to control peripheral devices while the robot arm is in motion. Commands can be sent via RS-232C or any other supported I/O interface to ensure synchronized control of multi-device processes for maximum throughput efficiency.



Configuration singularity avoidance function

Continuous path operations that contain robot arm configuration singularities can cause joint-speed overrun. If the arm approaches such a configuration, the singularity avoidance function prevents overrun errors by maintaining joint speed until the arm has moved past the point of singularity.



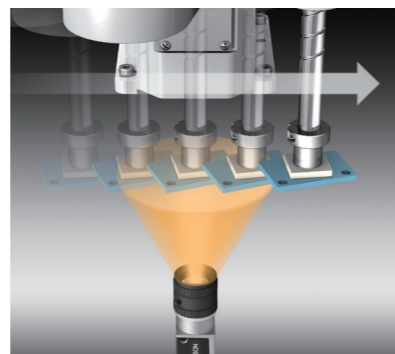
Remote control expansion I/O

Using the remote control expansion I/O, the robot can be controlled simply by entering I/O commands — there's no need for complex program development.

On-the-fly pickup

Workpiece pickup, alignment, and kitting can be carried out on-the-fly without pausing robot movement. Combined with an imaging system, it makes an ideal solution for high-speed alignment and handling of randomly arranged workpieces.

* RC700 controllers only.



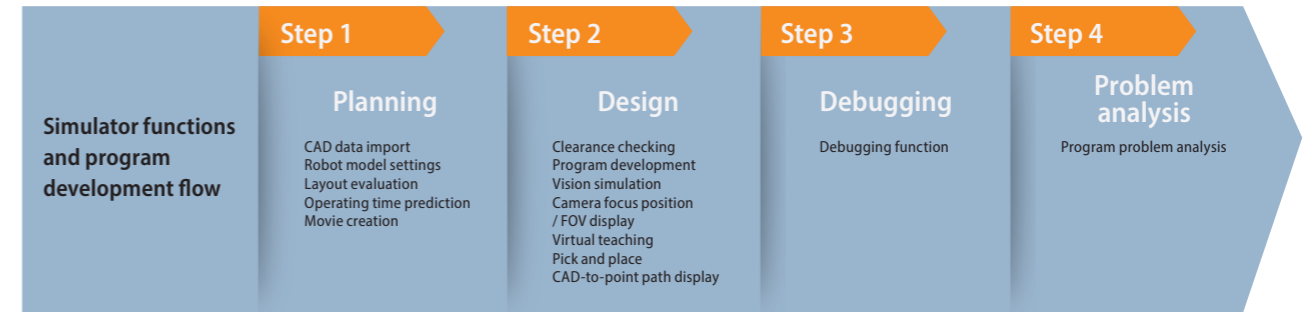
Operating speed and acceleration/deceleration settings

Operating speed and acceleration/deceleration of the arm can be set in 100 steps.

- PTP motion** Maximum point-to-point speed is set as a percentage relative to the maximum acceleration speed. Ascent and descent speeds can also be set.
- CP motion** For continuous path motion, maximum effector speed and acceleration/deceleration speed can be set in mm/sec² increments.

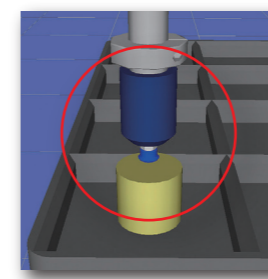
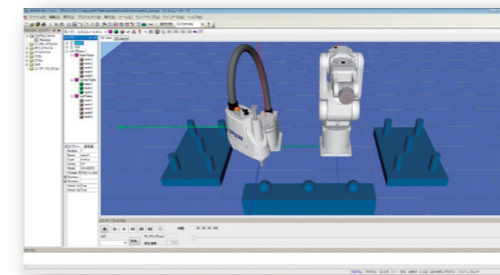
Simulator

The simulator displays a 3D view of the robot that enables you to thoroughly test programs and confirm robot motion and operating clearances in a virtual environment before putting them into use on the factory floor.



Layout evaluation

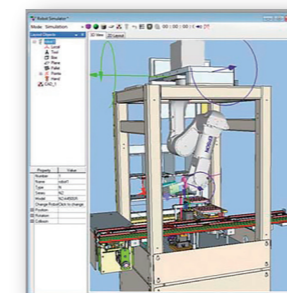
3D simulation of robot operation enables you to determine workcell space requirements and necessary clearances.



Enlarged view of effector

CAD data import

CAD data points for peripheral equipment and the effector can be imported directly to the simulator.



- Supported CAD data formats for 3D display**
- VRML 2.0
Limitations: VRML 2.0 prototypes are not supported.
 - STEP (AP203/AP214)
Limitations: Only ASCII code files are supported. Face colors can be displayed only when specified in the imported data.
 - IGES
 - DXF
AutoCAD® DXF formats (DXF R13, DXF R14, DXF 2000/2000i, DXF 2002)

Robot model settings

Workcell layout are easy because 3D data is built into the software.



Robot operating time prediction

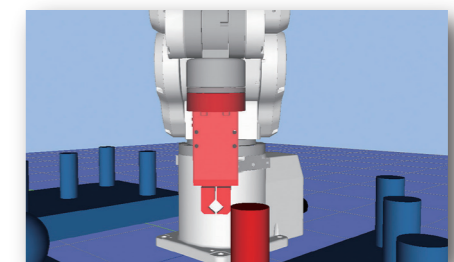
Robot operating time can be predicted based on motion speed and acceleration settings.

Still image / movie creation

Simulation results can be displayed as movies or still images that can be used as tools for evaluation, debugging, and information sharing.

Clearance checking

Clearances can be checked to ensure that the effector and arm do not interfere with the robot body or nearby equipment.

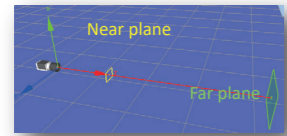


Clearance checking

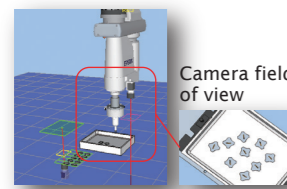
Program development

Programs can be written in SPEL+ and executed within the simulator.

Camera and field of view positioning



The simulator displays the position and angle of view for the selected camera and lens, making it easy to check camera positioning.

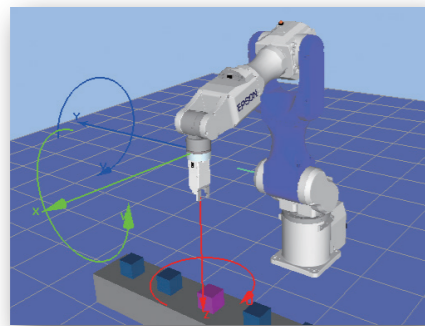


An image of the camera's field of view can also be displayed to facilitate positioning of workpieces and nearby equipment.

*Please note that live camera image display and Vision Guide connectivity are not supported, and displayed images cannot be image processed.

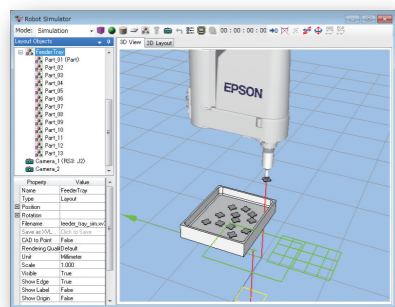
Virtual teaching

Teaching can be carried out within the simulator by positioning the robot with CAD data.



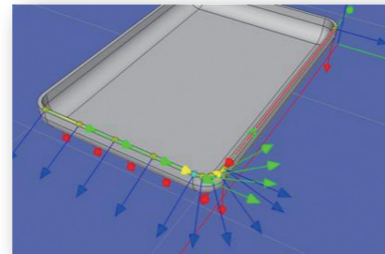
Pick and place

Pick and place program CAD data can be evaluated in the simulator to ensure nearby equipment does not interfere with arm movement.



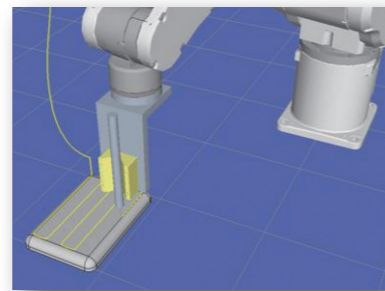
CAD-to-Point teaching

Teaching points can be set using imported CAD data.



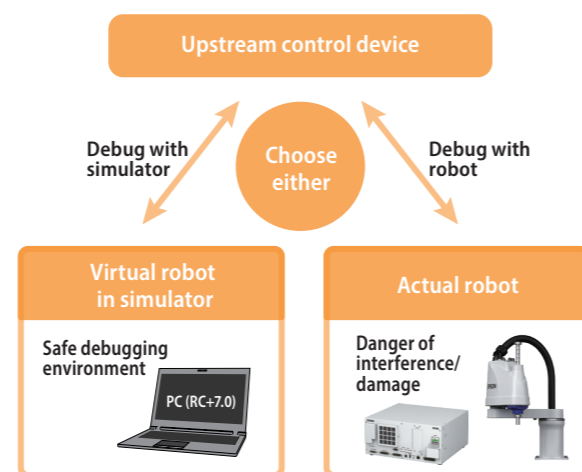
Path display

Robot motion paths can be displayed to confirm teaching points and programs.



Debugging function

Programs can be run within the simulator, allowing full debugging without a robot. Virtual I/O control can be effected by entering values from a PC via RS-232C or TCP/IP.



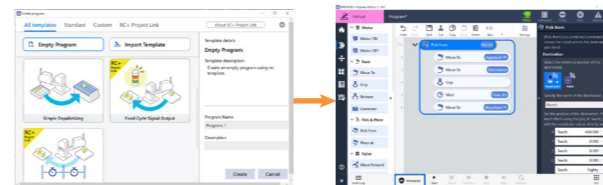
Program problem analysis

Saved robot position data can be imported into the simulator to enable problem analysis and program revision.

Easy to Use Software Epson RC+ Express Edition

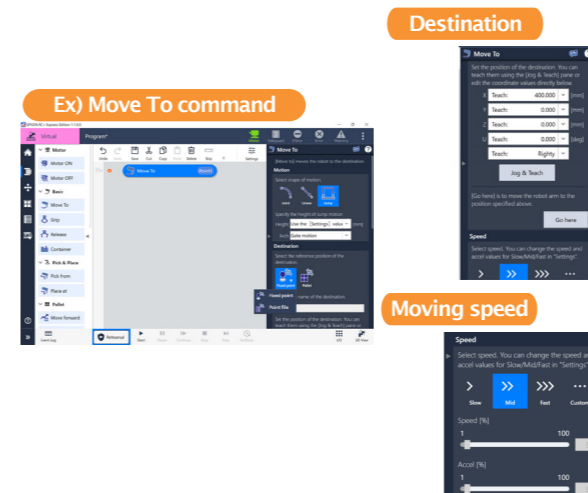
Program Template

- Premade template to create the simple program quickly. Pick-and-place, Palletizing, Depalletizing
- Complete the program simply by adding the location information for each command.



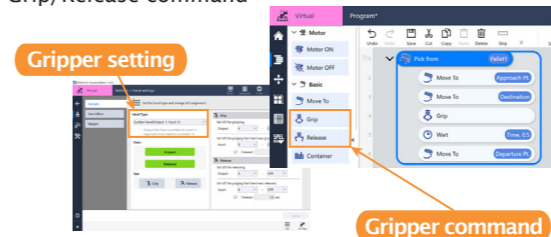
User Guidance

- When selecting a command, required setting items are displayed automatically
- Optimal preset parameters to minimize the items to set.



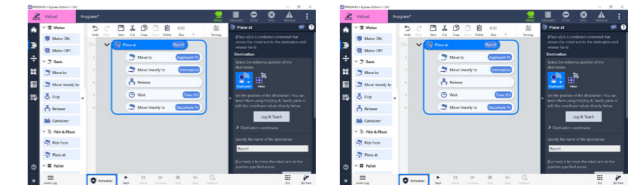
Gripper Setting

- Template and guidance for setting gripper motion in a short time. Suction pad, mechanical chuck
- Gripper operation is available from the program without being aware of I/O control. Grip/Release command



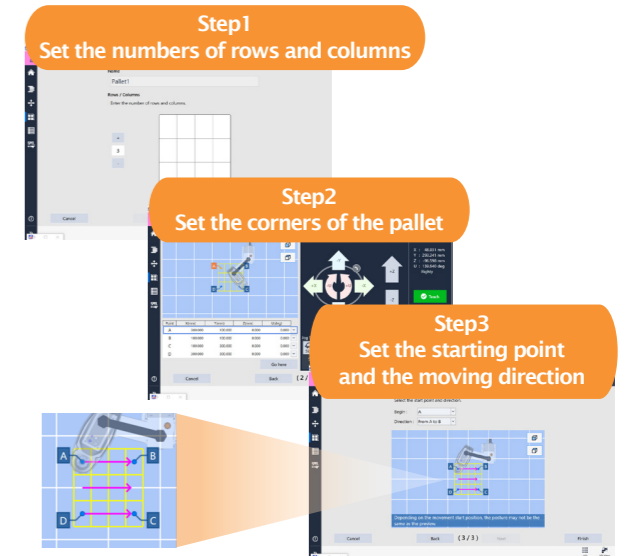
Visual Programming

- Block-style low code programming language. User friendly GUI operatable from the tablet PC with drag-and drop.
- No need to program with SPEL+, Epson's standard robot programming command.



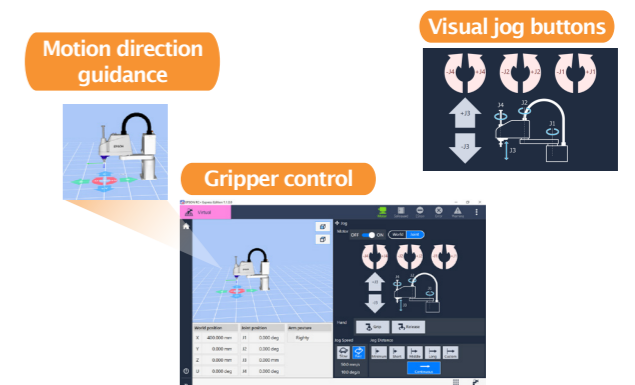
Pallet Wizard

- Possible to create a pallet in 3 steps.
- Easy to understand start point and direction.



Visualized Jog & Teach

- Intuitive GUI helps to reduce teaching difficulty and time. Visual jog buttons, Gripper control, Motion direction guidance

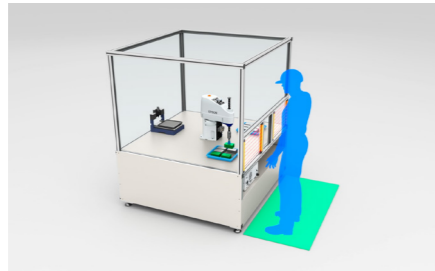


Epson's new RC700-E controller enhanced the safety of Epson robots.^(*)
 By activating Safety Function 7.0 License(SLS/SLP), it becomes possible to utilize the optional safety functions which can contribute to realize more flexible layout system which allows robot and human to work in the shared space.^(**)

Safety Limited Speed (SLS)

Safety Limited Speed(SLS) is a function to monitor the speed of the robot to prevent the robot from exceeding the preset speed limitation.

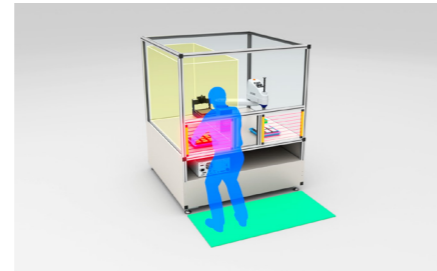
By using this function together with external safety devices like safety mat, it is possible to decrease the speed and keep in motion when the human's approach is detected.



Safety Limited Position (SLP)

Safety Limited Position(SLP) is a function to monitor the robot's position and the joint angles to prevent the robot from entering in the preset restricted area.

By using this function together with external safety devices like light curtain, it is possible to set the area where the human exists as a restricted area for the robot.



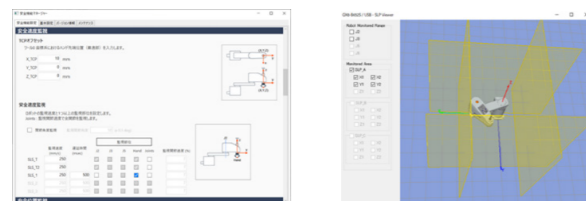
Example of Productivity Improvement and Cost Reduction by utilizing SLS and SLP

Make the manual work in the robot's motion area possible while the robot is kept operating
 In the application that robot assembles the parts in the robot cell and human sometimes enter in the cell to load or unload the parts, if you used the robot without SLS and SLP function, the productivity of the system would be low because the robot must stop its operation during the human is working in the cell to keep his or her safety. It is possible to improve the productivity by adding

load/unload unit, but the cost of the system becomes higher, and the system size becomes bigger,
 By utilizing SLS and SLP, it is possible to keep the productivity and safety at the same time without using special load/unload unit. When a human come close to the cell, the SLS is activated to slow down the robot speed. And when the human enters in the cell to do load/unload work, SLP is activated to set the human's working area as a restricted area for the robot.

Software Tool for Safety Function

Safety function setting tool called "Safety Function Manager" is provided as a standard tool of Epson RC+ It is possible to assign safety I/O port and set SLS/SLP parameters with this tool.



Certification Provided by 3rd Party Testing Institute

Epson's GX-B series manipulators and RC700-E controller acquire the 3rd party certification by TÜV SÜD, international certification authority, for international standards of product safety such as ISO10218-1 and ISO13849-1(PLd, Cat3) and NRTL certification, which is the safety standard in North America.



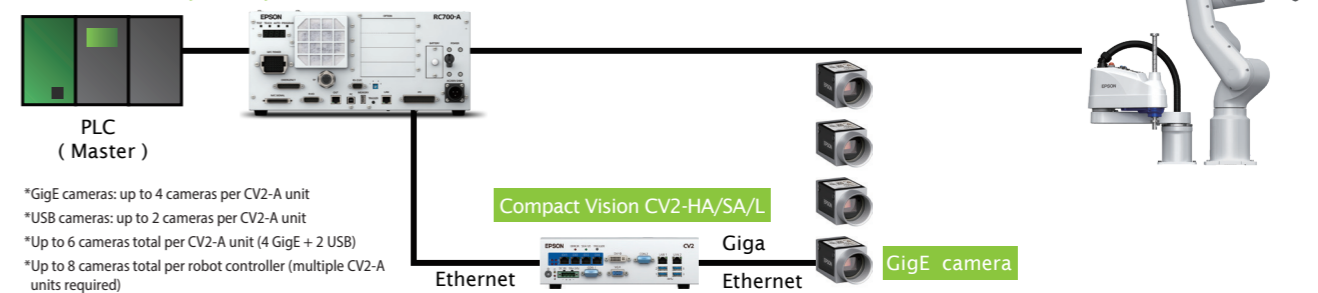
02 Vision Guide

Get advanced machine vision and image processing systems up and running fast with easy-to-use Epson Vision Guide software

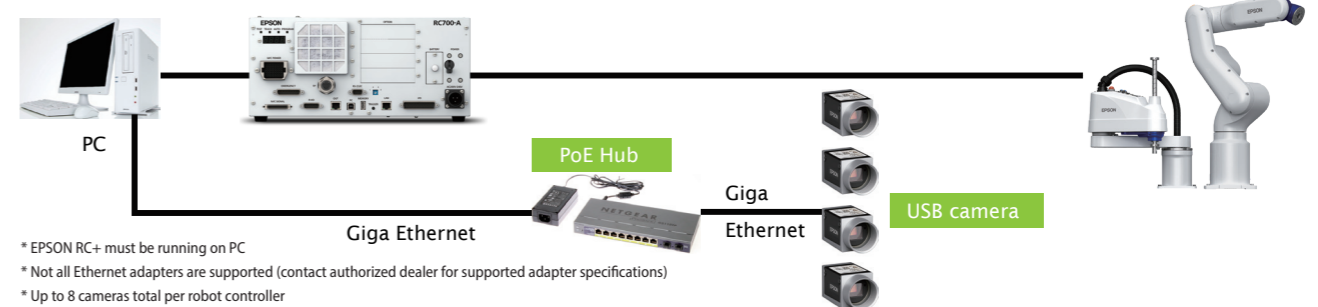
- Built-in image processing engine assists vision-to-robot calibration, making it easy to align the robot's coordinate system with the camera's field of view.
- Workpiece position can be determined relative to robot coordinates without complex calculations.
- Image processing sequences can be created simply by entering a few parameters and pointing and clicking with a mouse.
- Advanced pattern matching and geometric search tools enable easy solution program development without writing a single line of code.

System configuration examples

CV2-A(HA, SA, L)



PV1



Features

Convenience

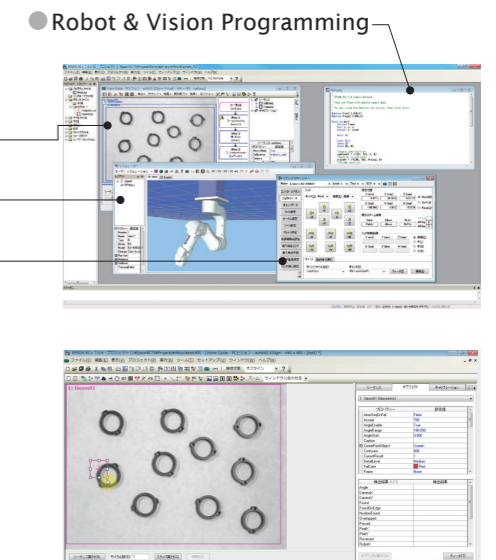
EPSON RC+ software can be used for both robot and machine vision program development.

- Other machine vision systems are more complicated to set up because different software must be used for machine vision and robot program development.

Ease of use

Easy registration of vision objects (positioning coordinates, etc.) enables rapid system setup and deployment.

- Vision objects can be registered via simple drag & drop operation.
- Intuitive interface makes operation easy even for first-time users.



*1 The supported model: SCARA robot "GX-B series"

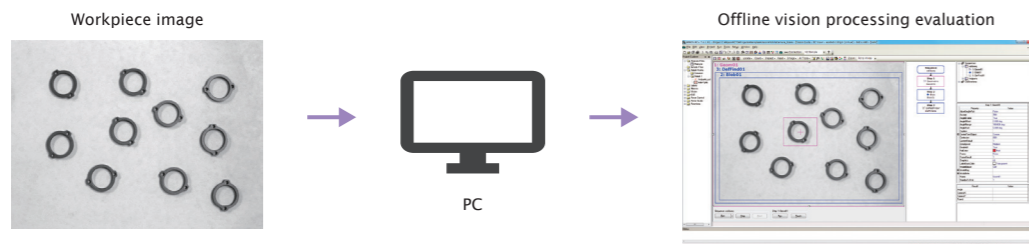
*2 Epson's safety function is not "collaborative" function.

When building the system, please implement the risk assessment for your system, and consider the necessary safety measures

Vision simulation

Epson Vision software includes a simulator that lets you visualize robot operation and workflow before equipment is actually installed. This makes it easy to plan and configure the system for maximum productivity, and allow program development to proceed while the system is being constructed.

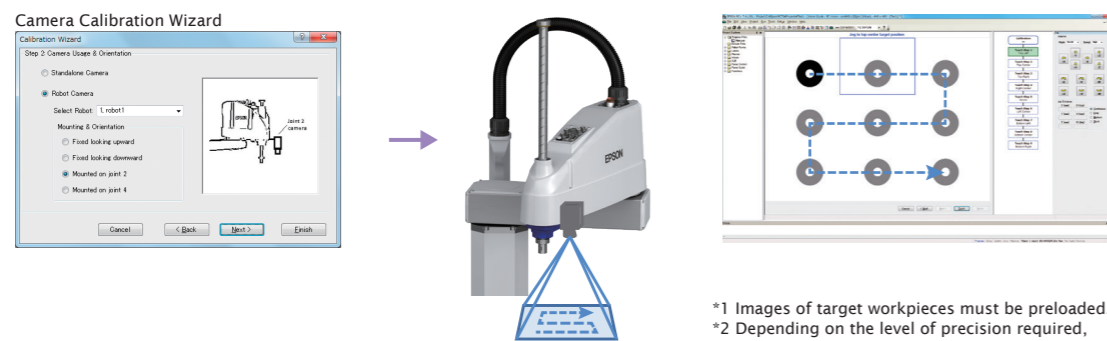
- Vision and process sequencing can be prepared in advance, before system is installed.
- Programs that include image processing sequences can be tested off line.
- If workpiece images are available, image processing can be tested off line.



Easy calibration

A built-in image processing engine makes it easy to align the camera's field of view with the robot's coordinate system, eliminating the need for complex programming when performing vision-to-robot calibration.

The robot automatically*1 follows the steps in the Calibration Wizard to complete the calibration.*2



- *1 Images of target workpieces must be preloaded.
- *2 Depending on the level of precision required, manual teaching may be necessary.

One-stop service

Whether you need help with initial setup or active production lines, Epson gives you one-stop service convenience for both robot and machine vision systems. With only one service call instead of two to coordinate, your production line will be back up and running in no time.

CV2 series			
Item	CV2-L	CV2-SA	CV2-HA
Image processing speed	Entry	Standard	High speed
Connected cameras	up to 4 GigE cameras and 2 USB cameras (6 cameras total per CV2 unit) (all cameras must be compatible with Vision Guide)		
Interface	Ethernet (for robot controller: 2 RJ45 selectable ports [10 / 100 / 1000 Mbps]) (for GigE cameras: 4 RJ45 selectable ports [1000 Mbps])		
Dimensions (mm)	232 (W) x 175 (D) x 70 (H) (excluding rubber feet)		
Operating environment	5~40°C, 20~80%RH (no condensation)		
Installation direction	horizontal or vertical		
Voltage	DC 19~24 V		
Current	11.57 A (at DC 19 V) ~ 9.16 A (at 24 V)		
Weight	2.1 kg		

GigE cameras					
Camera resolution	1.3 megapixels	2 megapixels	5 megapixels	10 megapixels	20 megapixels
Vision Guide resolution	1280 x 1080	1600 x 1200	2560 x 1920	3664 x 2748	5472 x 3648
B&W / Color	B&W	B&W / Color	B&W / Color	B&W / Color	B&W / Color
Dimensions (mm)	housing dimensions: 29 x 29 x 42 (total dimensions: 29 x 29 x 60.3)				
Weight	90 g (excluding lens)				
Ambient temperature	0~40°C (external surface temperature below 50°C)				
Ambient humidity	20~80% (no condensation)				
Lens mount	C mount				
Interface	PoE (Power Over Ethernet)				
Camera cable length	5 m / 10 m				

Camera performance by CV2 system				
Item	Resolution	CV2-L	CV2-HA, CV2-SA	PV1
GigE cameras	1.3 megapixels		B&W	
	2 megapixels		B&W / Color	
	5 megapixels		B&W / Color*1	
	10 megapixels	-		B&W / Color*1
	20 megapixels*2	-		B&W / Color

- *1: CV2-L 5M camera supports rolling shutter only (no global shutter)
- *2 Requires RC+ 7.4.5 or later and CV2 firmware 3.1.1.0 or later
- *3 10M color imaging requires RC+ 7.4.4 or later and CV2 firmware 3.1.0.5 or later

Megapixel lenses																	
Item	Megapixel lenses					Megapixel lenses (HF)					1-inch lenses						
Focal length (mm)	8	12	16	25	50	8	12	16	25	35	8	12	16	25	35	50	
Minimum focus distance (mm)	0.1	0.15	0.3	0.5		0.1					0.2	0.3					0.5
Mass (g)	62.6	61.9	60	71.2	85	95	85	90	85		164.8	102.8	94.4	78.6	103.0	107.0	
Filter diameter (mm)	M30.5 x P0.5					M30.5 x P0.5					-	M34.0 x P0.5					
External dimensions* (mm)	ø 33.5 x 28.2		ø 33.5 x 36.0	ø 33.5 x 38.2	ø 33.0 x 48.5	ø 33.0 x 52.5		ø 33.0 x 53.1			ø 57.5 x 53.2	ø 42.0 x 36.1	ø 39.5 x 35.2	ø 39.5 x 34.0	ø 39.5 x 45.2		

- * As lenses are larger than camera bodies, protrusions on camera attachment surface may interfere with lens operation. In such case, use the optional camera bracket to ensure that protrusions do not affect lens operation.
- * Lens support varies according to camera type. Contact your local Epson dealer for details.

Other Options	
Extension tube set	<p>Can be inserted between the camera and lens to adjust focusing distance and field of view. Set includes 0.5, 1, 5, 10, 20, and 40 mm tubes (1 each). Tubes can be used singly or in combination to obtain the desired focusing distance.</p>
High-flex GigE camera cable (5 m / 10 m)	Cable for connecting GigE cameras to CV2, GigE camera PoE injector, or switching hub.
High-flex GigE camera trigger cable (5 m / 10 m)	Camera triggering cable for connecting GigE cameras to robot controller.
CAT5e Ethernet cable (5 m / 10 m)	Cable for connecting robot controller to CV2, GigE camera PoE injector, or switching hub.
GigE camera PoE injector	Power supply unit to provide power to 1 GigE camera via LAN port.
GigE camera PoE switching hub	Power supply switching hub to provide power to multiple GigE cameras via LAN port.
Power cable (for PoE injector or switching hub)	Power supply cable for GigE camera PoE injector and switching hub.
GigE camera tripod adapter	1/4-inch threaded adapter for attaching a GigE camera to a tripod.

Epson part feeding delivers a powerful solution to accommodate a wide variety of parts. Simply setup, improve flexibility.

System Configuration



Epson RC+ makes it easy to set and adjust the optimum pick conditions

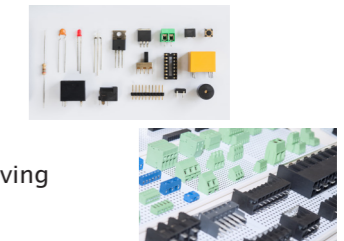
The screenshots show the software's configuration wizard. The first window allows selecting a pickup area (A, B, C, D) on a part image. The second window shows vibration calibration parameters. Annotations highlight key features: 'Up to 16 varieties can be registered', 'Set conditions for each part', 'Complete in just 3 simple steps', and 'Automatically search for vibration parameters according to parts'.

With an easy-to-use wizard and GUI, you can intuitively and automatically set and change parameter settings for efficiently picking and placing parts. In the past, skilled robot engineers searched for vibration parameters by trial and error for individual workpieces. Epson part feeding allows you to register a large number of parts and easily switch settings, so you can respond smartly to variable production.

※Specifications are subject to change without notice for the purpose of improving functions.

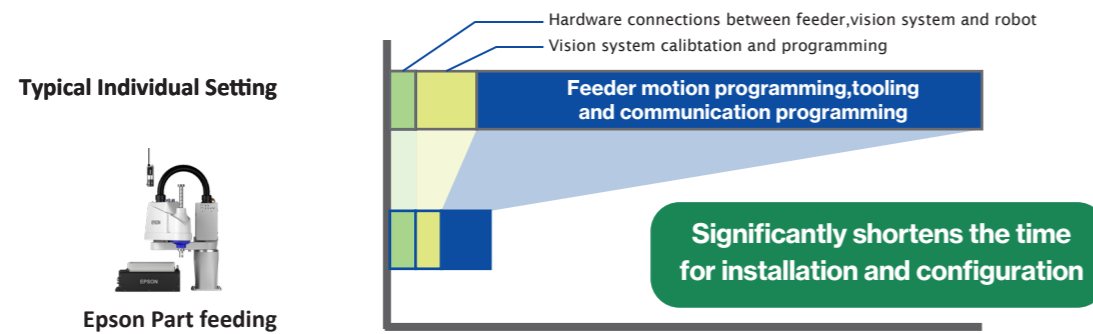
Supports a wide variety of parts up to 16 types can be registered

Epson part feeding can precisely control the amplitude, time, and timing of vibration, and can handle parts of a wide range of materials and shapes. In the past, it was necessary to prepare a dedicated feeder for each part or to perform special processing on the feeder container. This solution can handle various parts without modifying the hardware, improving model switching and reducing running costs.



Reduce Installation and Configuration Time

The high-performance feeder and Epson RC+ offers easy setup and configuration.



Easy optimize for complete parts control

The diagram shows four actions performed by the feeder: 1. Supply (Automatically filled when they run out), 2. Separate (Moved closer to the place position to shorten the cycle time), 3. Flip (Reoriented so they can be picked up), and 4. Shift (Separated to be picked up easily. Makes them easier to pick up). A callout box states: 'Automatically determines and executes four actions according to the parts position'.

Epson Part Feeding uses a vision system and feeder to control parts for efficient picking by the robot.

In the past, skilled robot engineers created programs to select the optimum operation through trial and error according to the image processing results.

This solution performs the four preset actions on the left as appropriate according to the situation, enabling highly efficient pick-and-place work.

Parts feeding system configuration list	
Item	Specification
Applicable robot controller	RC700, RC700-A, RC700-E, RC90, RC90-B (Depends on the manipulator)
Applicable manipulator	RS series, G series, GX series, LS series , T series, C series, N series, VT series
Applicable vision	PV1, CV2
Applicable feeder	IF-80, IF-240, IF-380, IF-530 (See table below)
Safety standard	CE

Feeder specification				
Item/Specification	IF-80	IF-240	IF-380	IF-530
Part size	3~8 mm	5~40 mm	15~60 mm	30~150 mm
Vibration surface (LxW)	65 x 52 mm	195 x 150 mm	325 x 254 mm	427x370mm
Footprint (LxWxH)	320 x 65 x 140 mm	300 x 171 x132 mm	499 x 257 x 308 mm	600 x 374 x 328 mm
Power	DC24V, 6A	DC24V, 8A	DC24V, 20A	
Communication	Ethernet (100Base-T), TCP/IP			
External device control	Hopper control terminal			
Backlight (selected when ordering and built into the main unit)	None, white, red, blue, green, infrared			
Vibration plate	Anti-rolling (Lattice groove, rolling prevention) 、 Anti-stick (Circular groove, rolling prevention) Plane+ESD (anti-static measures) 、 Anti-rolling+ESD (Lattice groove, anti-static measures)			



Force Sensing

High-rigidity, high-sensitivity S250 Series force sensors are specifically designed for use with Epson robots, enabling extremely precise force control for high-precision assembly tasks.

03 force sensors

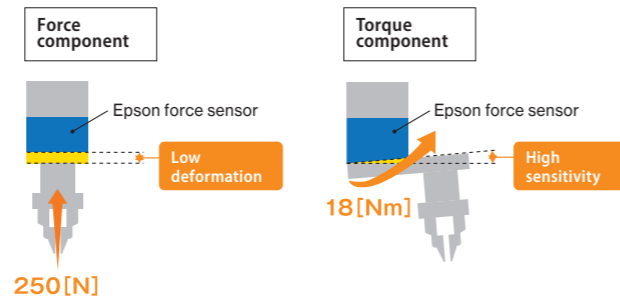
S250 Series force sensors incorporate exclusive Epson crystal piezoelectric technology that ensures a higher level of rigidity and sensitivity than conventional force sensors.

Advantage 1 high rigidity

S250 Series sensors are extremely rigid and resistant to deformation under heavy loads. They have a rated load of 250[N] on the X, Y, and Z axes, and a moment of force of 18[Nm] that makes them particularly sensitive to axial stress.

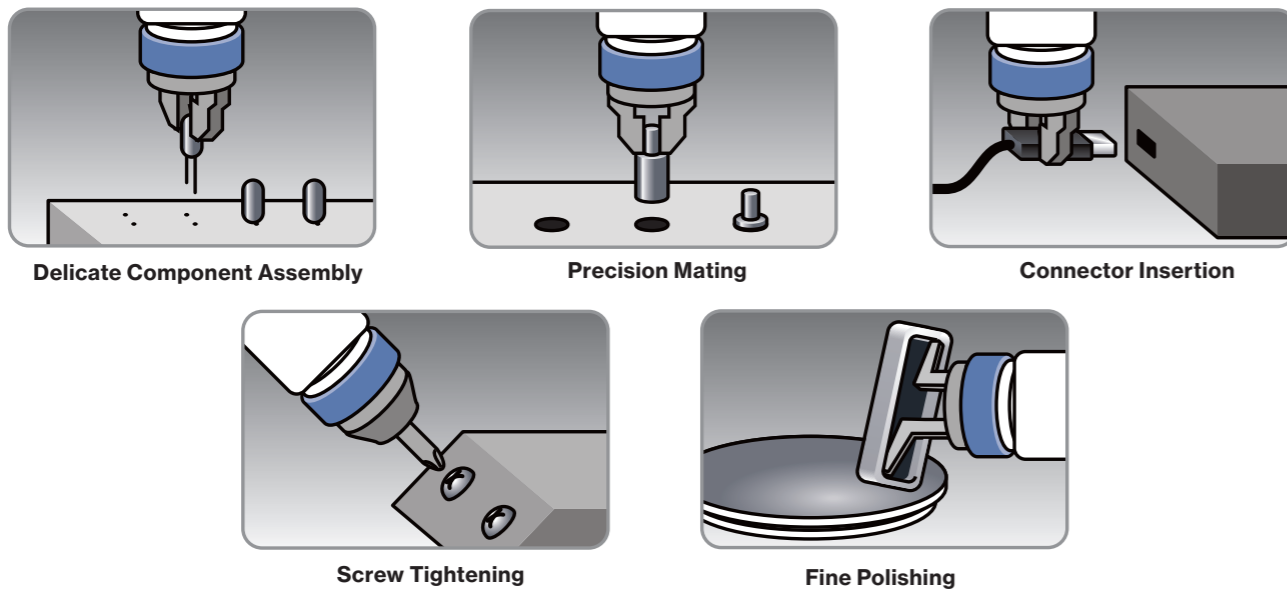
Advantage 2 high sensitivity

S250 Series sensors also ensure excellent sensitivity and quick response with high resolution of 0.1[N] and a low noise level of 0.035[N] on the X, Y, and Z axes.



Force-sensing system applications

Robots equipped with an Epson S250 Series force sensing system can handle high-precision tasks that cannot be safely automated with teaching or machine vision systems alone. As a result, even production processes that previously required experienced workers to handle delicate and easily damaged workpieces can be fully automated.



One-stop Epson support

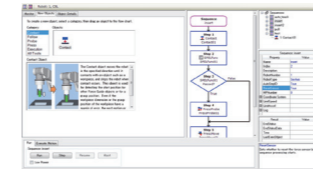
From initial planning and procurement, to setup, adjustment, ongoing maintenance and re-pair, Epson provides one-stop support for all your force-sensing system and automation needs.



High-rigidity, high-sensitivity S250 Series force sensors are specifically designed for use with Epson robots, enabling extremely precise force control for high-precision assembly tasks.

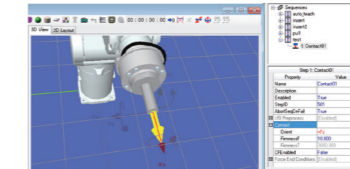
Easy force sensing program development

The new Force Guide interface makes it easy to develop force sensor operating programs simply by dragging Force Guide object icons into a flow chart. In addition, simulator motion display and force waveform monitoring make debugging easier than ever before.



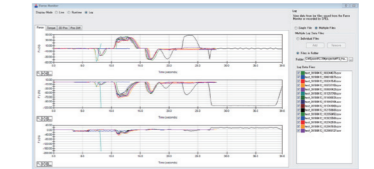
Force Guide GUI

The Force Guide interface provides a clear explanation of what each programming object does, as well as a flow chart view for easy confirmation of program sequence ordering.



Simulator

The simulator enables quick confirmation of the direction of robot arm movement and axis coordinates.



Force waveform display & recording

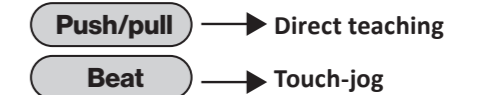
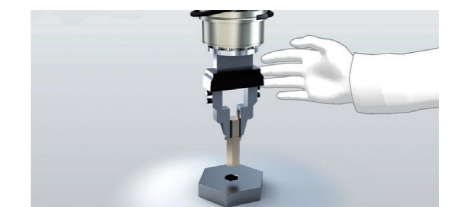
The force waveform display allows realtime waveforms to be compared with previously recorded waveforms, enabling users to identify operating anomalies and understand how various conditions affect performance.

Direct teaching function

6-axis robots equipped with force sensors can be taught using the Epson TP2/TP3 teaching pendant. Operators can manually move the robot arm and manipulator to the desired position and use the teaching pendant to confirm hardness/softness of the workpiece and the force to be applied.*

Touch-jog function*

In addition to the standard button-operated jog and teaching modes, the TP2 teaching pendant now has a direct teaching mode with a touch-jog function that makes 6-axis robot teaching much easier. During direct teaching operations, you can simply tap the effector to make small, incremental adjustments to the effector's position. There's no need to manually switch input modes because the system can automatically recognize the amount of force being applied to the effector.



* Supported by TP2 teaching pendant and C4, C8, N2, and N6 robots (controller firmware v7.4.6 or newer required)

Product photos

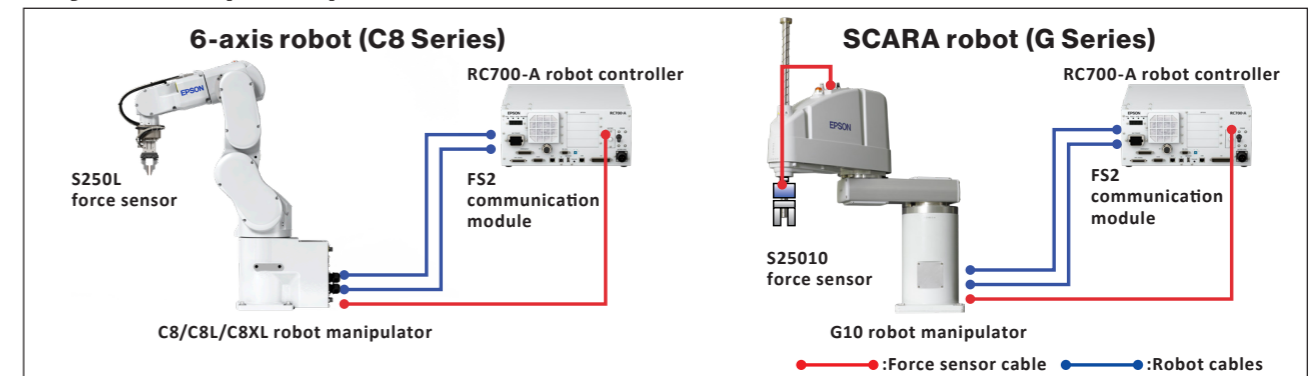
03 S250 Series force sensor

03 FS2 communication module

FS2 system requirements

Supported controller	RC700-A One FS2 module per controller (inserted in option slot)
No. of supported force sensors	One sensor per module
Power supply	Via option slot

System setup examples



Force sensor specifications

Sensor model	S250N	S250L	S250P	S250H	S2503/S2506/S25010	SH250LH ⁴
Applicable robot	C4	C8 / C12 ¹ Standard/Cleanroom ² / Protection		N2	GX / G Series ³ RS Series	N6
Dimensions	Ø80 x H49mm	Ø88 x H49mm	Ø88 x H66mm	Ø80 x H49mm	Ø80 x H52mm	Ø84.5 x H48mm
Weight ⁵	460g	520g	680g	460g	640g	460g
Supported controller	RC700-A / RC700-D / RC700-E					
Measurement freedom	6-axis: Force Fx, Fy, Fz; Moment Tx, Ty, Tz					
Rated load	Fx, Fy, Fz: 250N, Tx, Ty, Tz: 18 N·m					
Static load capacity	Fx, Fy, Fz: 1000N, Tx, Ty, Tz: 36N·m					
Measurement resolution	Fx, Fy, Fz: ±0.1N less, Tx, Ty, Tz: ±0.003N·m					
Measurement precision	less than ±5% R.O.					
Operating environment	Temperature	-10 to 40 °C				
	Humidity	10 to 80%Rh (no condensation)				
Cable length (between robot and cable box)	3m/5m/10m/20m			3m/5m/10m		3m/5m/10m/20m
Protection class	IP67 (S250P), IP20 (S250N, S250L, S2503, S2506, S2510)					IP20
Included items	FS2 communication module, communication cable, mounting flange					

*1: After Epson RC+ 7.0 Ver.7.5.2 *2Dimensions/weight exclude vertical clearance for user-installed cabling *3: Except shielded and G1 robots
*4: Supports pass-through cable connection *5: Including sensor and mounting flange, but excluding cable

<p>S250N for C4</p>	
<p>S250L for C8 / C12 (standard & cleanroom)</p>	
<p>S250P for C8 / C12 (washdown)</p>	

<p>S250H for N2</p>	
<p>S2503 for RS3, RS4 and GX4, GX8</p>	
<p>S2506 for GX8</p>	
<p>S25010 for GX10 and GX20</p>	
<p>SH250LH for N6</p>	

Epson's long experience in the development of industrial robots and control technologies enables us to offer a wide range of software options.

RC+ API 7.0

Compatible controllers
RC700-E RC700-A RC90-B T series VT series

Program and execute robot applications in a familiar Windows® OS environment

- Robots can be controlled using Visual Basic®, Visual C®, LabVIEW™, and other third-party programming languages.

Robot status and variable values can be captured.

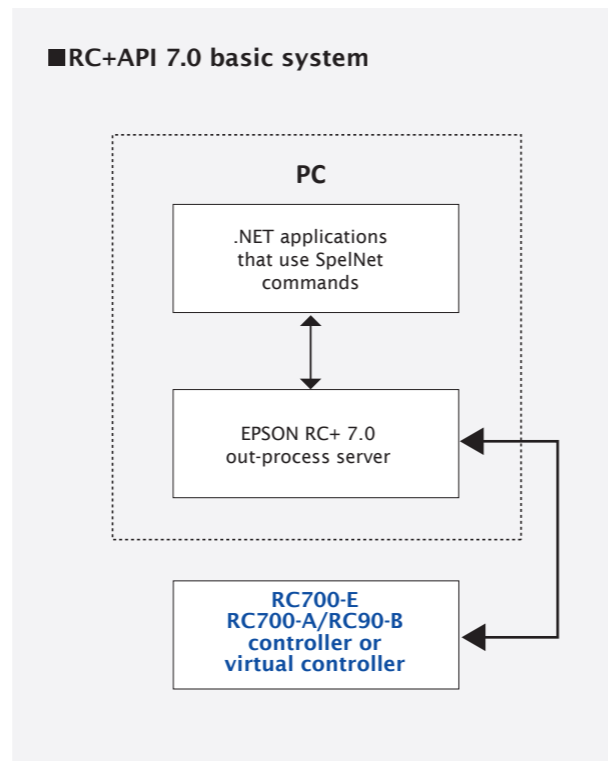
Third-party Visual Basic interface and database design tools can also be used for program development.

The following EPSON RC+ windows and dialogs can be called from within a Visual

Basic application:

- Robot Manager
- I/O Monitor
- Task Manager
- Maintenance Dialog
- Simulator
- Pressure Monitor

RC+API 7.0 basic system

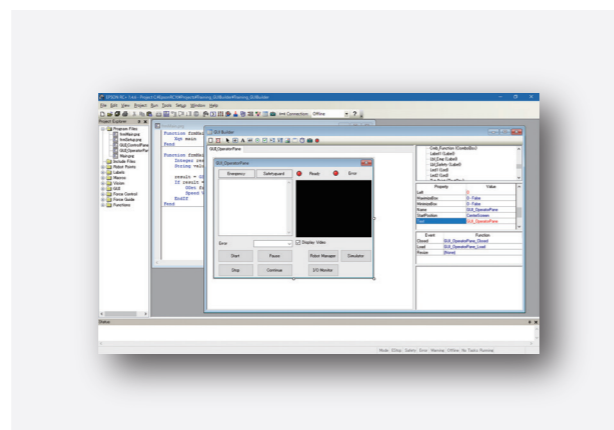


GUI Builder

Compatible controllers
RC700-E RC700-A RC90-B T series VT series

Easily create custom interfaces for your control programs at the leading edge of industrial robot design

- Quickly and easily create control program custom interfaces that can take the place of dedicated PLCs and display devices.
- Full-featured toolset is easy to understand and use.
- Enables simple GUI creation without using Visual Studio® or other third-party software tools.
- Makes it easy to build a graphical user interface, even if you've never built one before.

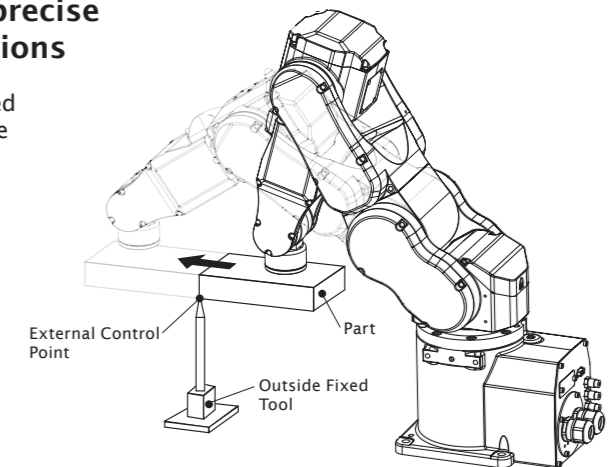


ECP

Compatible controllers
RC700-E RC700-A RC90-B T series VT series

External control point operation for precise positioning without complex calculations

- For processes requiring the workpiece to be moved against a fixed tool, external control points can be used to ensure precise positioning.
- Up to 15 external control points can be set.



OCR

Compatible controllers
RC700-E RC700-A RC90-B T series VT series

Optical character recognition of text on parts and labels

- For use with optional Vision Guide software.
- Recognizes characters in images and converts them to text data.
- Images of characters can be registered as text target models.

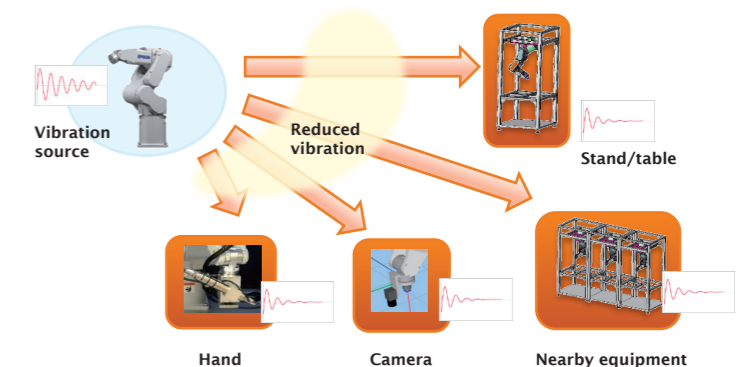
VRT

Compatible controllers
RC700-E RC700-A RC90-B T series VT series

Reduced residual vibration for higher productivity

- Advanced vibration reduction technology (VRT) helps reduce residual vibration* in the robot hand and mounting stand that is generated by robot motion, enabling faster acceleration for reduced cycle time and higher yield.

* Residual vibration must be pre-measured using the optional VR unit.



OPC UA

Compatible controllers
RC700-E RC700-A RC90-B T series VT series

Easy configuration using the dedicated software "OPC UA Configurator" reduces the total cost of building a core system.

- Easily create a system for analyzing communication data.
- It becomes possible to accurately reproduce defects that occur in remote locations on the IT system.
- Traceability data can be obtained from the robot's serial number.



A wide range of controller options are offered to expand the range of tasks and processes that can be automated.

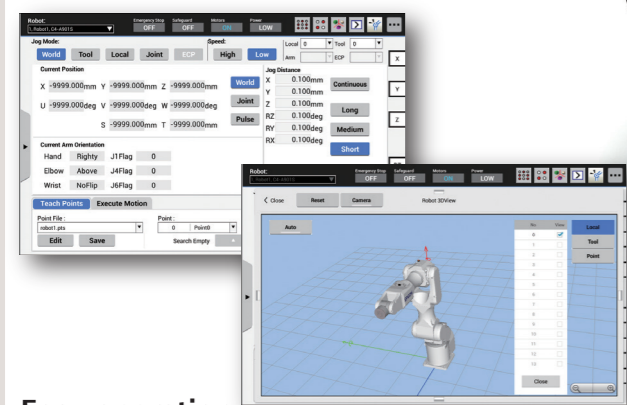
04 Teach Pendant (TP3)

Compatible controllers
RC700-E RC700-A RC90-B T series VT series

Tablet-type teach pendant with 10.1-inch color touchscreen for intuitive operation, also fast and easier teaching 6-axis robot

Easy-to-view screen

- 10.1-inch TFT LCD (w/ LED backlight)
- 1280 x 800 resolution
- Color display



Easy operation

- Simple screen layout, fast response
- Standard RC+ program interface

Advanced features

- 3D robot graphics, programming functions and parameter settings
- High-speed test mode
Programs can be started/stopped from operation panel

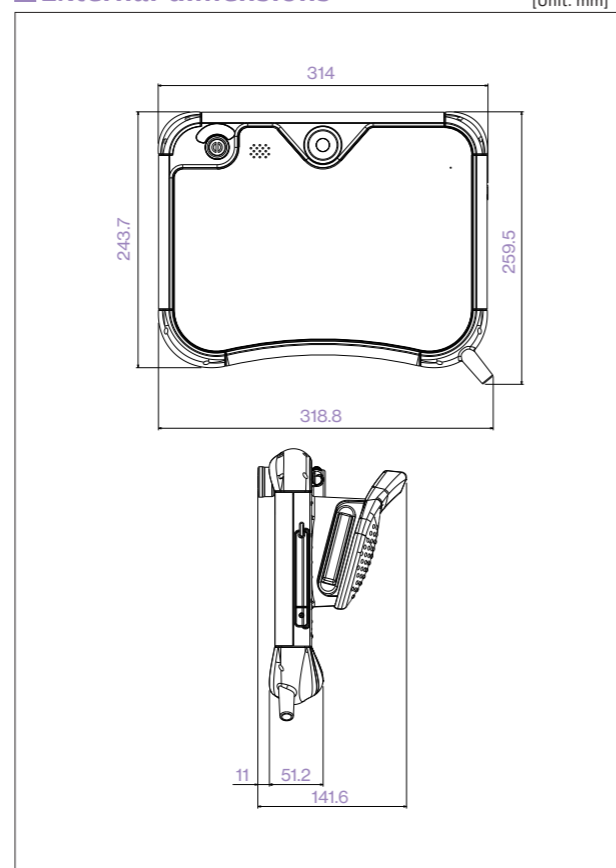
Main specifications

Dimensions (mm)	314(W) x 244(H) x 142(D)
Weight	1.5kg (excluding cable)
Body color	Black
Connectivity	Wired
Display	10.1-inch TFT LCD (w/ LED backlight) Resolution: 1280 x 800
Controls	Touchscreen controls Emergency stop button Enable switch Mode switch Control keys (JOG, EXE buttons) USB port
Cable length	5m (10m, 15m extension cables available)
Interface languages	English, Japanese, German, French, Chinese (simplified, traditional)
Ingress protection	IP65
Operating temperature range	0–40°C (stable temperature)
Operating humidity range	5–95% (relative humidity)
Operating environment	Low levels of dust, oil mist, salt, iron particles and other contaminants No flammable or caustic liquids or gases nearby



External dimensions

[Unit: mm]

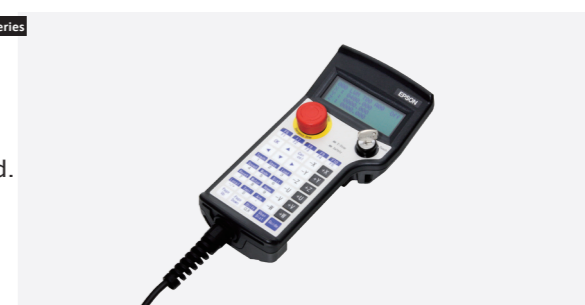


04 Teach Pendant (TP2)

Compatible controllers
RC700-E RC700-A RC90-B T series VT series

Easy-to-use pendant for teaching

- Universal design ensures ease of use for both right-handed and left-handed operators.
- Connects directly to operator unit or controller interface card.



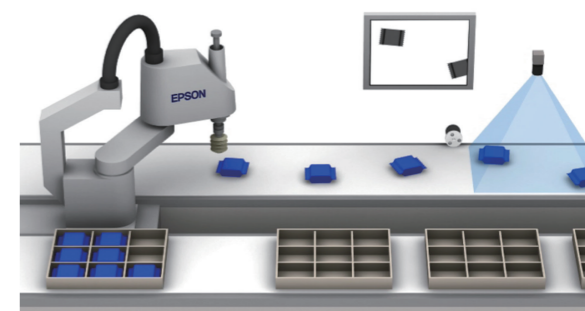
05 Conveyor tracking

Compatible controllers
RC700-E RC700-A RC90-B T series VT series

Precision tracking for high-productivity pick-and-place operation

- Enables pick-and-place handling of items on a high-speed conveyor.
- Uses machine vision/sensors to detect workpiece and effect robot handling.
- Can automate manual kitting/packaging tasks and help maintain productivity regardless of continuous/intermittent conveyor operation. Can also be used for workpiece assembly.
- Simple start/stop program execution.

*Vision Guide software required.



05 PG motion system

Compatible controllers
RC700-E RC700-A RC90-B T series VT series

Control peripheral robots for fully integrated process automation

- EPSON RC+ software and pulse generator (PG) cards enable control of multiple third-party drives and motors.
- PG robots and standard EPSON RC+ system robots can be operated simultaneously, and controlled using the same commands.
- PG cards can be used to control X/Y tables, sliders,

turrets, and a wide range of other production/inspection line peripherals.

- Each PG card has 4 channels, and can support from 1 to 4 robots. Up to 4 cards can be mounted.

*PG motion system requires optional EPSON RC+ software and at least one optional PG output board. Drivers and motors for third-party devices are not included.

06 Emergency stop switch

Compatible controllers
RC700-E RC700-A RC90-B T series VT series

Helps prevent injuries and damage

- Immediately stops robot operation in emergency situations.



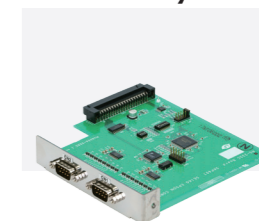
E-Stop Box-B (for RC700-E)

07 RS-232C cards

Compatible controllers
RC700-E RC700-A RC90-B T series VT series

Expanded serial port connectivity

- 2-port RS-232C cards to connect serial interface devices.



08 I/O expansion cards

Compatible controllers
RC700-E RC700-A RC90-B
T series VT series

Expanded input/output flexibility

- 24-input/16-output expansion cards.



09 Fieldbus I/O (slave)

Compatible controllers
RC700-E RC700-A RC90-B
T series VT series

High-speed peripheral connectivity

- 2048-point I/O support for DeviceNet™, Ethernet/IP™, PROFIBUS®, and PROFINET® networked peripherals, and 384-point I/O support for CC-Link® networked peripherals.

10 Fieldbus I/O (master)

Compatible controllers
RC700-E RC700-A RC90-B
T series VT series

Bidirectional high-speed peripheral connectivity

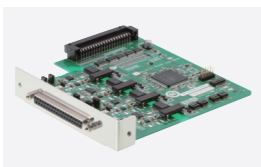
- Support for DeviceNet™, PROFIBUS®, and Ethernet/IP™ networked peripherals (1024-point I/O).

11 Analog I/O card

Compatible controllers
RC700-E RC700-A RC90-B
T series VT series

For analog control of voltage and current I/O

- Analog control of input and output current and voltage allows regulation of secondary equipment such as paint sprayers to match the speed of robot arm motion. Available in 1 channel and 4 channel models.

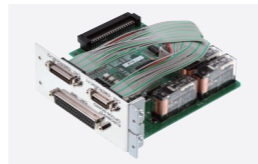


12 EUROMAP 67 card

Compatible controllers
RC700-E RC700-A RC90-B
T series VT series

For use with thermoplastic injection molding machines

- EUROMAP 67 compliant electrical interface with 15-point input and 16-point output.



13 I/O cable kit

Compatible controllers
RC700-E RC700-A RC90-B
T series VT series

Cables and connectors for easy connectivity with no soldering required

- A wide range of I/O cables and connectors are available.



14 Hot plug kit

Compatible controllers
RC700-E RC700-A RC90-B
T series VT series

Easy Teach Pendant connection/disconnection

- Allows Teach Pendant to be connected or disconnected without an emergency stop.

*Conversion cable required for use with TP2.



15 Wall mount option

Compatible controllers
RC700-E RC700-A RC90-B
T series VT series

Optional wall mounting box

- Allows controller to be mounted on a wall.



Epson robot manipulator options provide the enhanced functionality and configuration flexibility you need for full-process automation.

16 External wiring units

Compatible manipulators

G1 GX4 GX8 GX10 GX20 LS3 LS6 LS10 LS20 T3 T6 VT6 RS3 RS4 C4 C8 C12 N2 N6

Simplifies wiring when mounting manipulator options

- Enables easy, on-site connection of external wiring by users.
- Ideal for connecting Vision Guide system camera cables or other wiring.

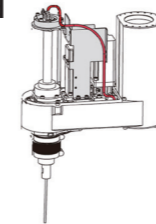


17 Internal wiring unit

Compatible manipulators

G1 GX4 GX8 GX10 GX20 LS3 LS6
LS10 LS20 T3 T6 VT6 RS3 RS4
C4 C8 C12 N2 N6

Enables wiring and conduits for the hand to be enclosed within the robot arm assembly.



18 SCARA tool adapters

Compatible manipulators

G1 GX4 GX8 GX10 GX20 LS3 LS6
LS10 LS20 T3 T6 VT6 RS3 RS4
C4 C8 C12 N2 N6

Enhances handling/processing versatility and simplifies effector changes



19 ISO flanges

Compatible manipulators

G1 GX4 GX8 GX10 GX20 LS3 LS6
LS10 LS20 T3 T6 VT6 RS3 RS4
C4 C8 C12 N2 N6

For easy attachment of effectors to 6-axis robot arms

* Flange configuration varies according to robot model. Please specify model when ordering flanges.



20 Brake release units

Compatible manipulators

G1 GX4 GX8 GX10 GX20 LS3 LS6 LS10 LS20 T3 T6 VT6 RS3 RS4 C4 C8 C12 N2 N6

Enables brake release so robot arm can be moved by hand when power is switched off at the leading edge of industrial robot design

21 Power and signal cables

Compatible manipulators

G1 GX4 GX8 GX10 GX20 LS3 LS6 LS10 LS20 T3 T6 VT6 RS3 RS4 C4 C8 C12 N2 N6

Standard 3m cables, or optional 5m and 10m cables for greater freedom in controller and robot placement

22 Power cable connectors

Compatible manipulators

G1 GX4 GX8 GX10 GX20 LS3 LS6 LS10 LS20 T3 T6 VT6 RS3 RS4 C4 C8 C12 N2 N6

Power cables are available with straight or L-shaped angle connectors*

* Controller-end connectors only

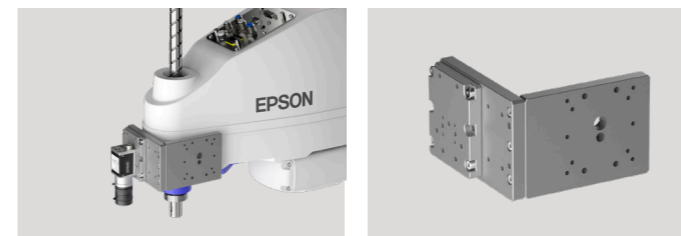


23 Camera mounting bracket

Compatible manipulators

G1 GX4 GX8 GX10 GX20 LS3 LS6 LS10 LS20 T3 T6 VT6 RS3 RS4 C4 C8 C12 N2 N6

Securely mount machine vision system camera to robot arm



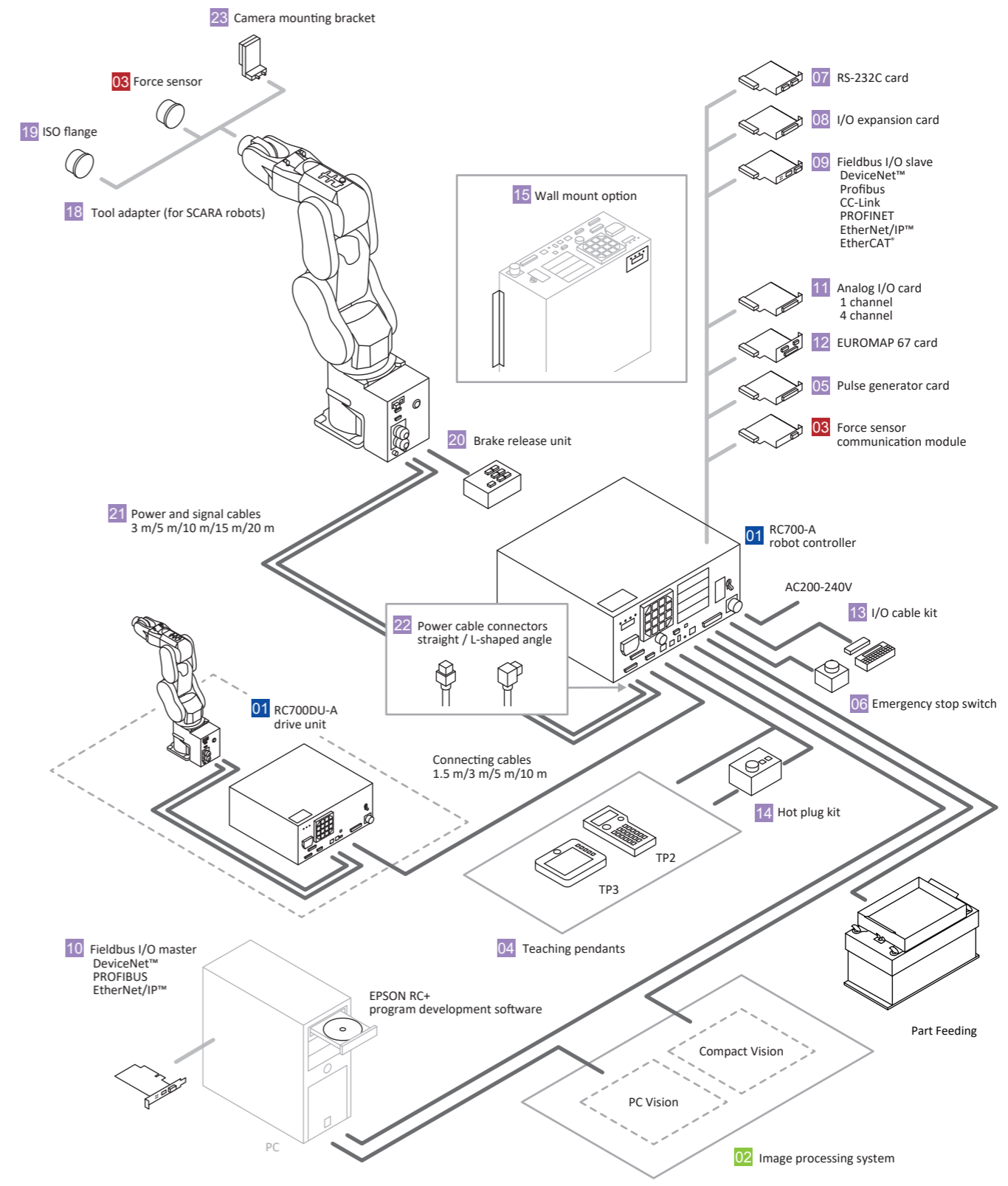
Bracket design varies according to robot. Please specify model when ordering.

Software options					
	RC700-A	RC700-E	RC90-B	T series	VT
02 Vision Guide 7.0	●	●	●	●	●
03 Force Guide 7.0	●	—	—	—	—
RC+ API 7.0	●	●	●	●	●
ECP	●	●	●	●	●
GUI Builder 7.0	●	●	●	●	●
OCR	●	●	●	●	●
VRT	●	●	●	●	●

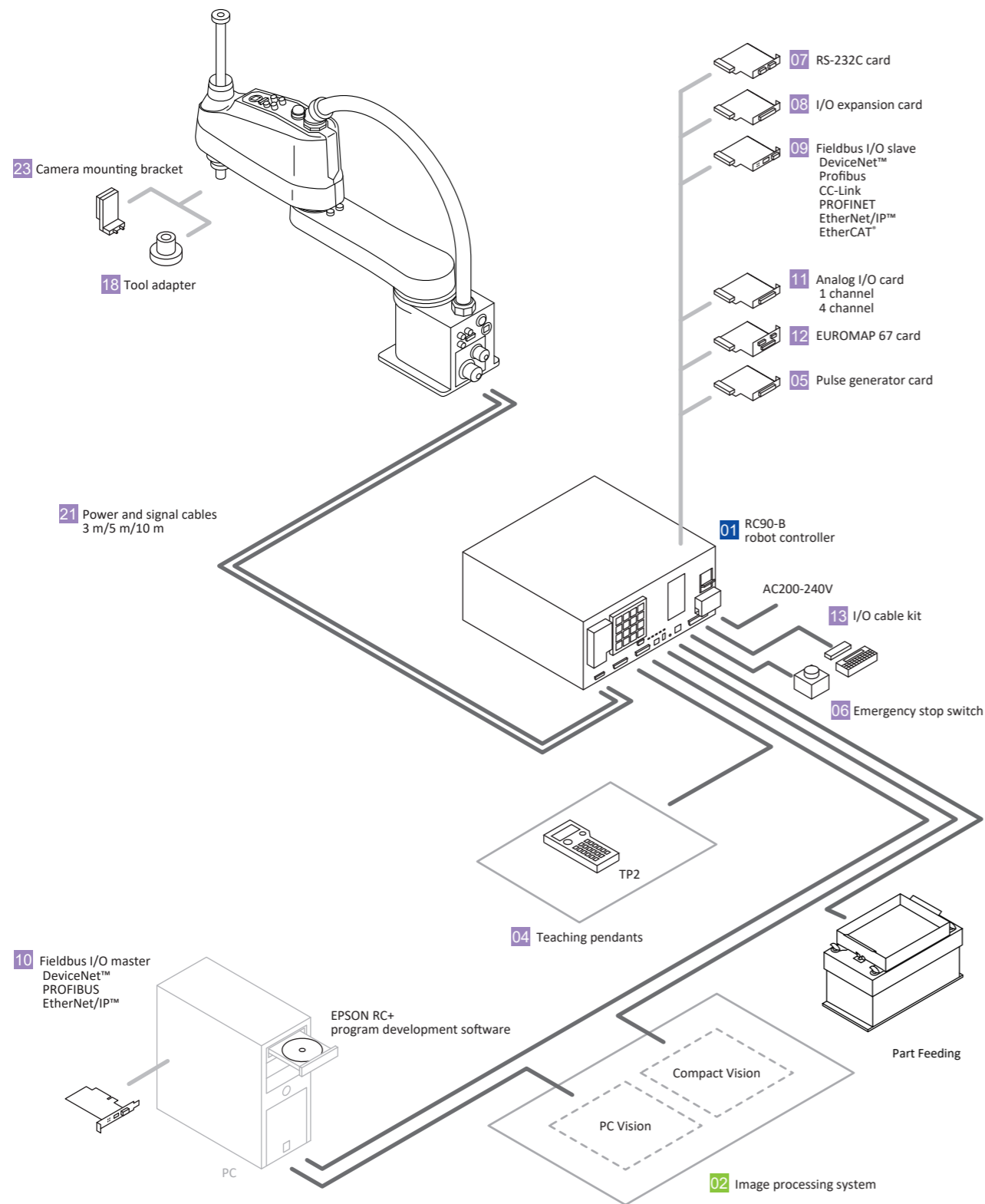
Controller options					
	RC700-A	RC700-E	RC90-B	T series	VT
04 Teaching Pendant (TP2)	●	●	●	●	●
04 Teaching Pendant (TP3)	●	—	—	●	●
05 Conveyor tracking	●	●	●	—	—
05 PG motion system	●	●	●	—	—
06 Emergency stop switch	●	●	●	●	●
07 RS-232C cards	●	●	●	—	—
08 I/O expansion cards	●	●	●	—	—
09 Fieldbus I/O (Slave)	●	●	●	●	●
10 Fieldbus I/O (Master)	●	●	●	●	●
11 Analog I/O card	●	●	●	—	—
12 EUROMAP 67 card	●	●	●	—	—
13 I/O cable kit	●	●	●	—	—
14 Hot plug kit	●	—	—	●	●
15 Wall mount option	●	—	—	—	—

Manipulator options												
	G1	GX4	GX8 GX10/GX20	LS3/LS6 LS10/LS20	T3/T6	RS3 RS4	C4	C8	C12	N2	N6	VT6
16 External wiring units	—	—	●	—	—	—	—	—	—	—	—	●
17 Internal wiring unit	—	—	—	—	—	●	—	—	—	—	—	—
18,19 Tool adapters/ISO flanges	—	●	●	●	●	●	—	●	●	●	●	●
20 Brake release units	—	—	—	—	—	—	●	●	●	●	●	—
21 Power and signal cables	●	●	●	●	(built-in controller)	●	●	●	●	●	●	●
Cable length (m)	3,5,10,15,20		3,5,10			3,5,10,15,20						(built-in controller)
Cable type (Standard/High-flex)	Standard			Standard						Standard/High-flex		
22 Power cable connectors (Straight/L-type)	Straight/L-type		Standard			Straight/L-type						
23 Camera mounting bracket	—	●	●	●	●	●	●	●	●	●	●	●
RC700DU-A (Drive unit)	●	●	●	—	—	●	●	●	—	—	●	—

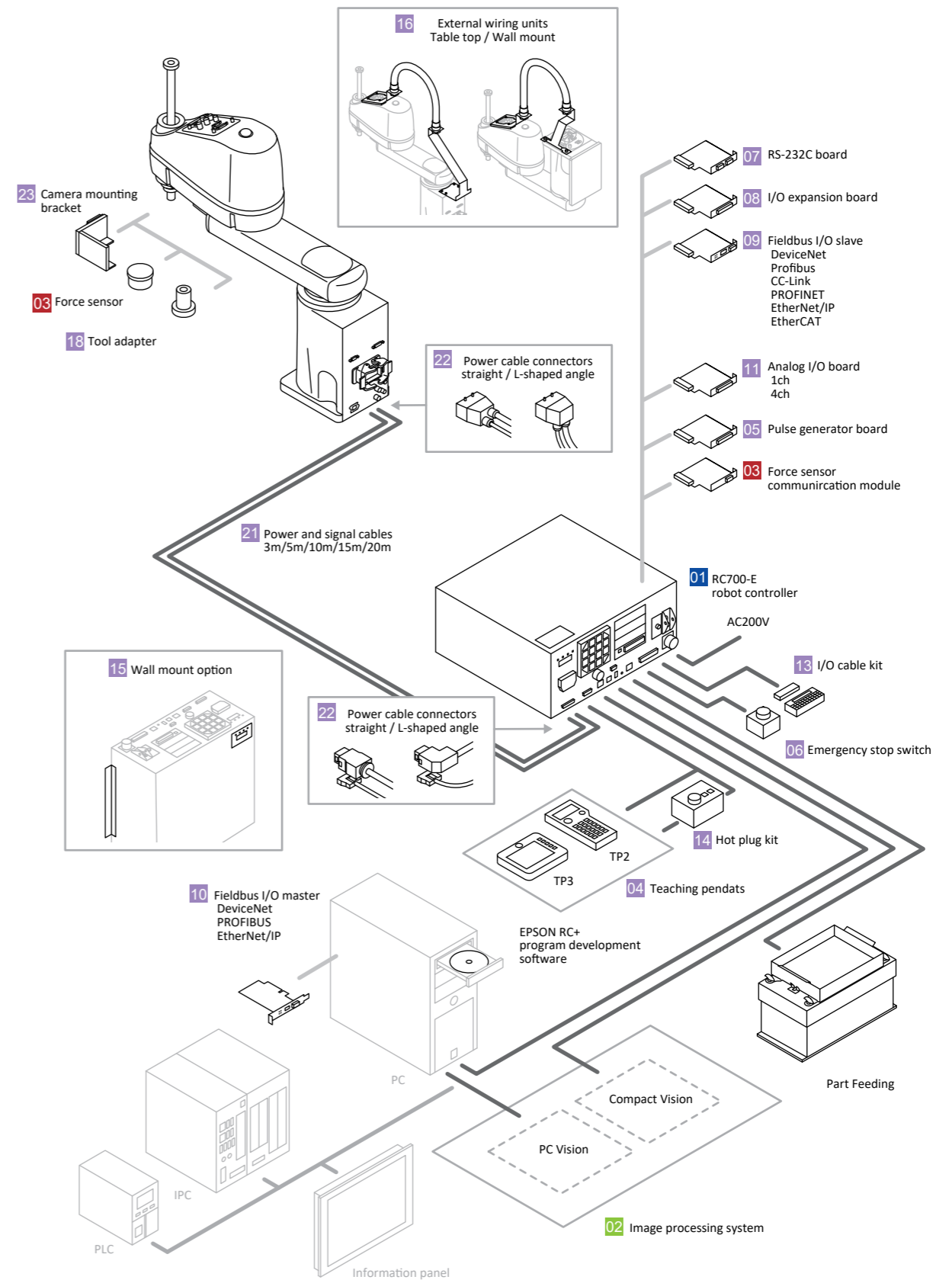
RC700-A controller with C series robots



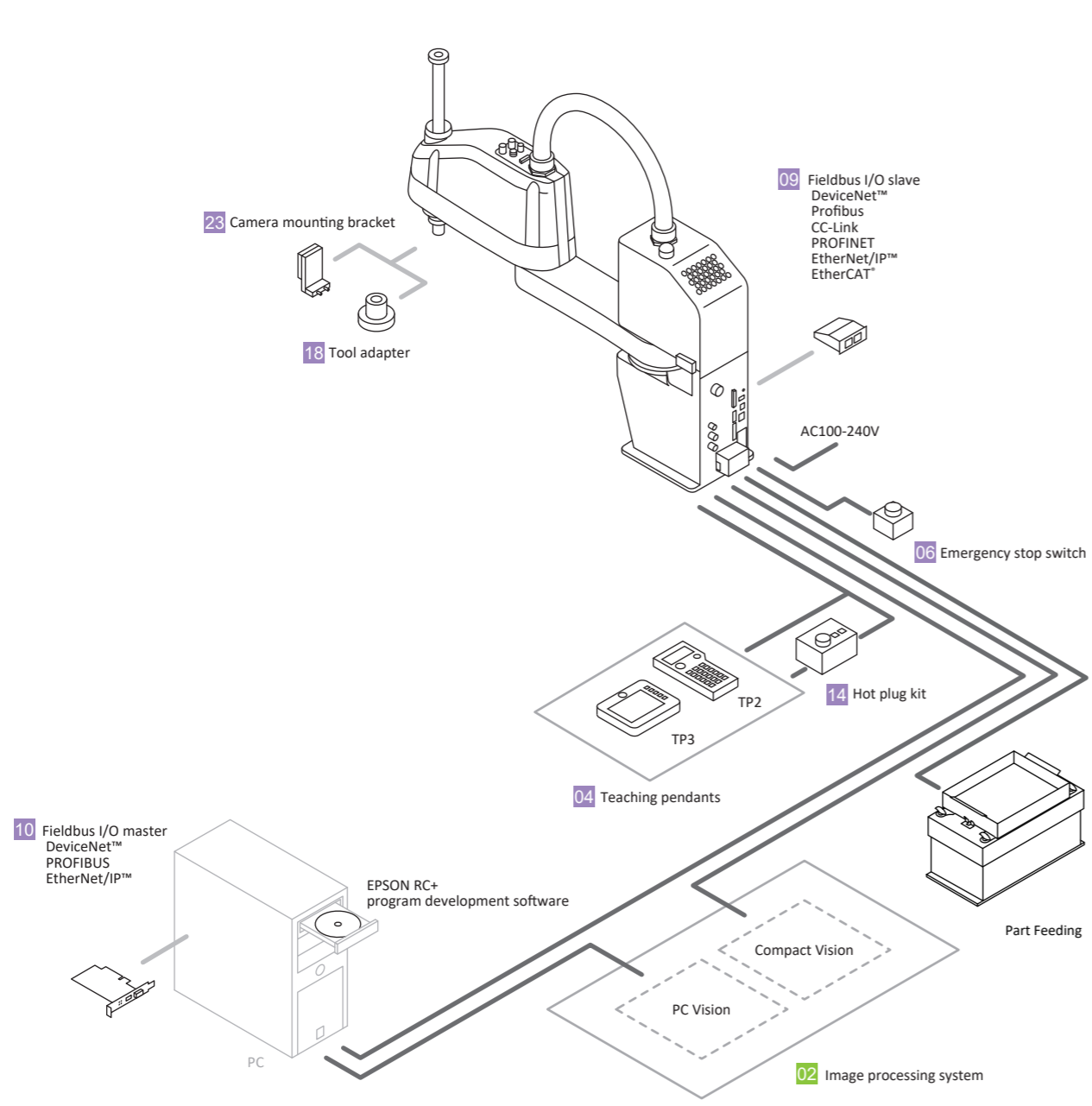
RC90-B controller



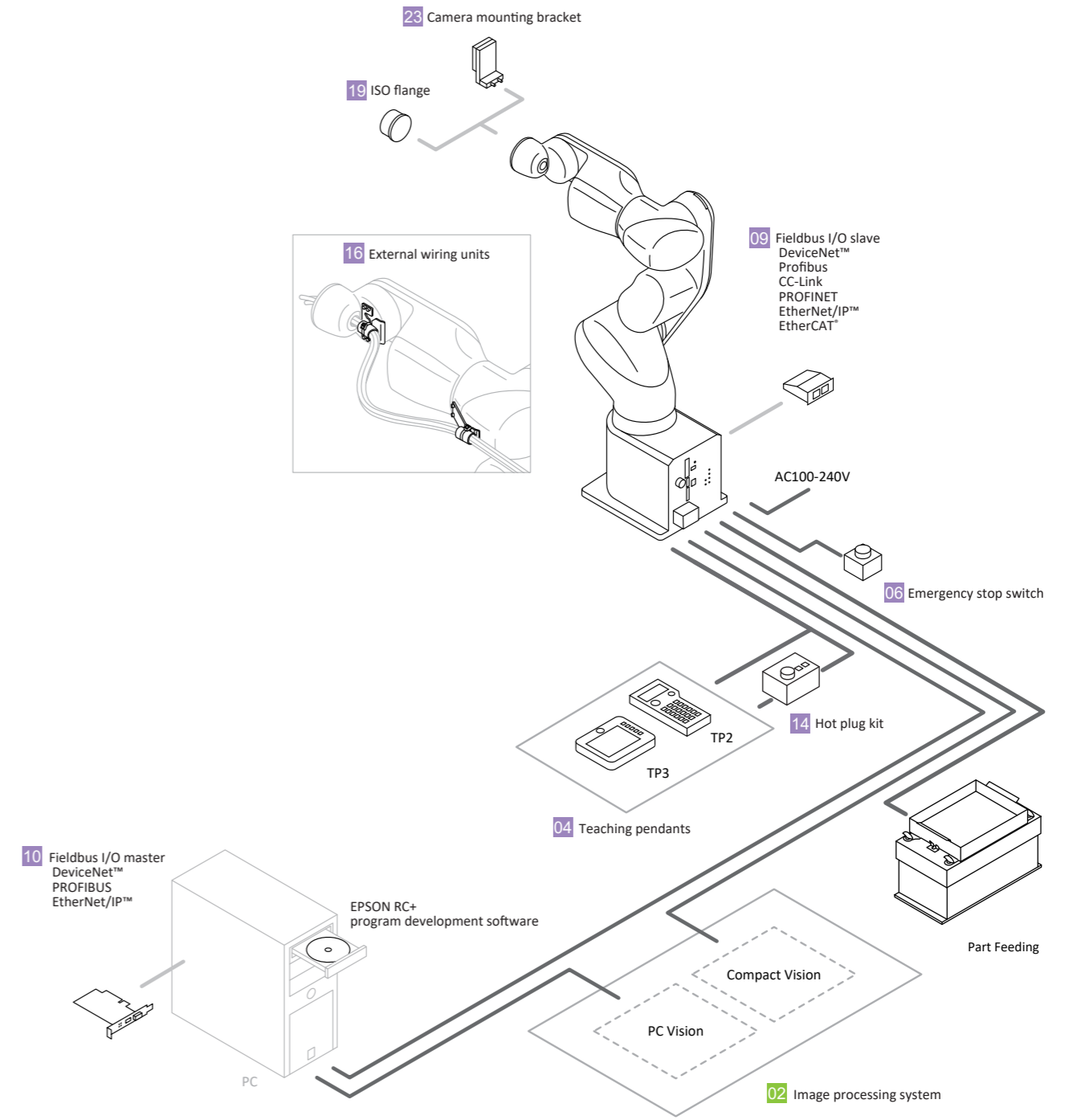
RC700-E controller



T series robot



VT series robot



With Epson industrial robots,
you get the highest standards of safety and reliability
and the support of a global sales and service network

At Epson, we continue to draw on the strengths of our global network to provide customers with the tools they need to automate manufacturing processes and achieve higher productivity. By creating the world's most trusted and reliable industrial robots, we pledge to deliver the true customer value that is the hallmark of every Epson product.



■ Top-quality service and support worldwide

Our global network of sales and service centers is firmly dedicated to maintaining a consistently high level of product and service quality in every region. For products under warranty, we offer on-site assistance to deal with any malfunctions or problems*1, and through our authorized sales and service representatives we offer warranty coverage for machines that are later moved to other locations*2, assuring top-quality support wherever you are.

*1 Standard warranty limitations apply.
*2 Contact local sales and service representatives for details.

■ Epson Global Support Network

Manufacturing/Development: Seiko Epson Corporation 6925 Tazawa, Toyoshina, Azumino-shi, Nagano
Sales/Support

Japan	Epson Sales Japan Corporation	JR Shinjuku Miraina Tower, 4-1-6 Shinjuku, Shinjuku-ku, Tokyo
Japan	EPSON TcFORM CORPORATION	1-1-43 Suehiro-cho, Tsurumi-Ku, Yokohama-shi, Kanagawa
North America	Epson America, Inc.	3131 Katella Ave., Los Alamitos, CA 90720, U.S.A
South America	Epson Do Brasil Industria e Comercio LTDA.	Av.Tucunare,720 Tambore Barueri, Sao Paulo -SP 06460-020, Brazil
Europe	Epson Deutschland GmbH	Schiessstrasse 49, 40549 Dusseldorf, Germany
Mainland China	Epson (China) Co., Ltd	4F, Tower 1, China Central Place, 81 Jianguo Road, Chaoyang District, Beijing, 100025, China
Taiwan region	Epson Taiwan Technology & Trading Ltd.	15F., No.100, Songren Rd, Xinyi Dist., Taipei City 11073 ,Taiwan
Southeast Asia	Epson Singapore Pte. Ltd.	438B Alexandra Road, Block B Alexandra TechnoPark, #04-01/04, Singapore
Republic of Korea	Epson Korea Co., Ltd.	10F Posco Tower Yeoksam, Teheranro 134 Gangnam-gu, Seoul, 06235, Korea
India	Epson India Pvt. Ltd.	12th Floor, The Millenia, Tower A No.1, Murphy Road, Ulsoor, Bangalore, 560008 ,India